

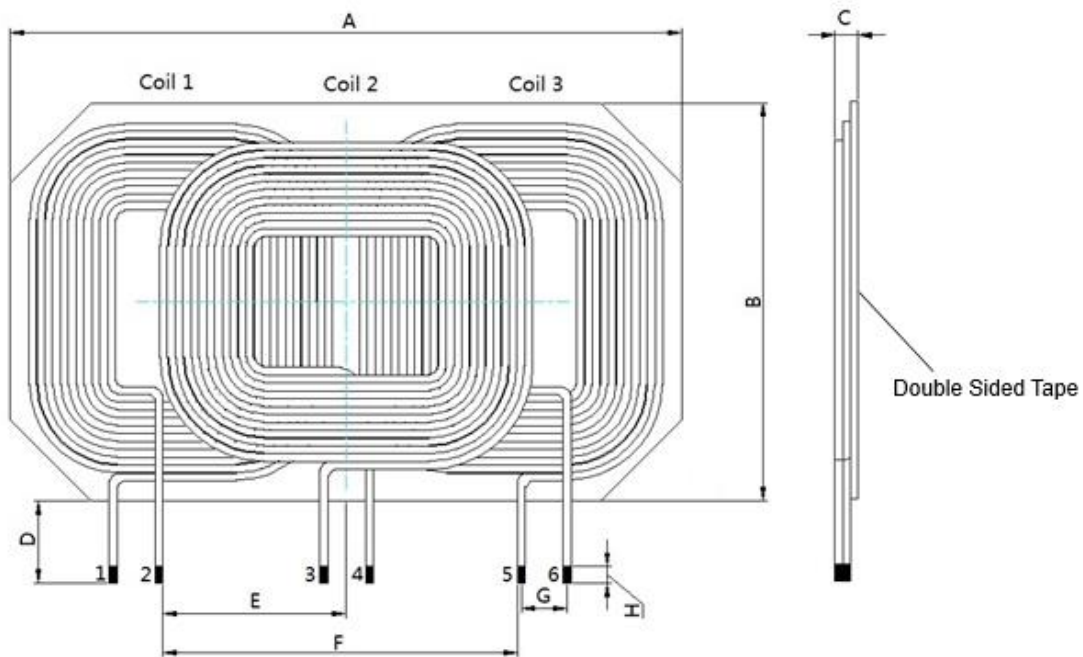
1. Part No. Expression:

STX99550411R3SMPA6

(a) (b) (c) (d) (e)

- (a) Series Code
- (b) Dimension Code
- (c) Inductance Code
- (d) Tolerance Code
- (e) Internal Code

2. Configuration & Dimensions: (Unit: mm)

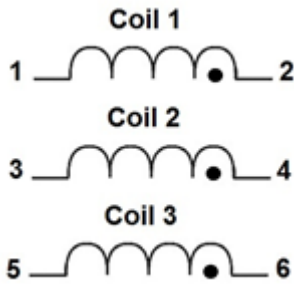


Note: 1. Dimension C does not include the release paper.

| A | B | C | D | E | F | G | H |
|----------|----------|---------|----------|----------|----------|---------|---------|
| 99.0±1.0 | 55.6±0.6 | 4.5 Max | 13.0±1.5 | 23.0±2.0 | 46.0±4.0 | 8.0 Ref | 5.0±1.0 |

NOTE: Specifications subject to change without notice. Please check our website for latest information.

3. Schematic:



4. Electrical Characteristics:

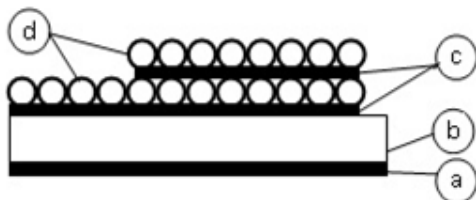
Coil 1 ,2 and 3:

| Inductance (uH) | Test Frequency (Hz) | DCR (mΩ) | Irms (mA) |
|-----------------|---------------------|----------|-----------|
| 11.3±0.7 | 1V/100K | 80 Max | 6500 Max |

5. General Specification:

- a) Storage Temp: -40°C ~ +85°C
- b) Storage Temp: -40°C ~ +85°C (packaging)
- c) I rms: Based on temp. rise up to 40°C Max.
- d) Power Rating: 15W
- e) Compatible to Qi standard MP-A6 design.

6. Material List:



- (a) Double Sided Tape
- (b) Ferrite Sheet (MnZn)
- (c) Adhesive
- (d) Wire

NOTE: Specifications subject to change without notice. Please check our website for latest information.