

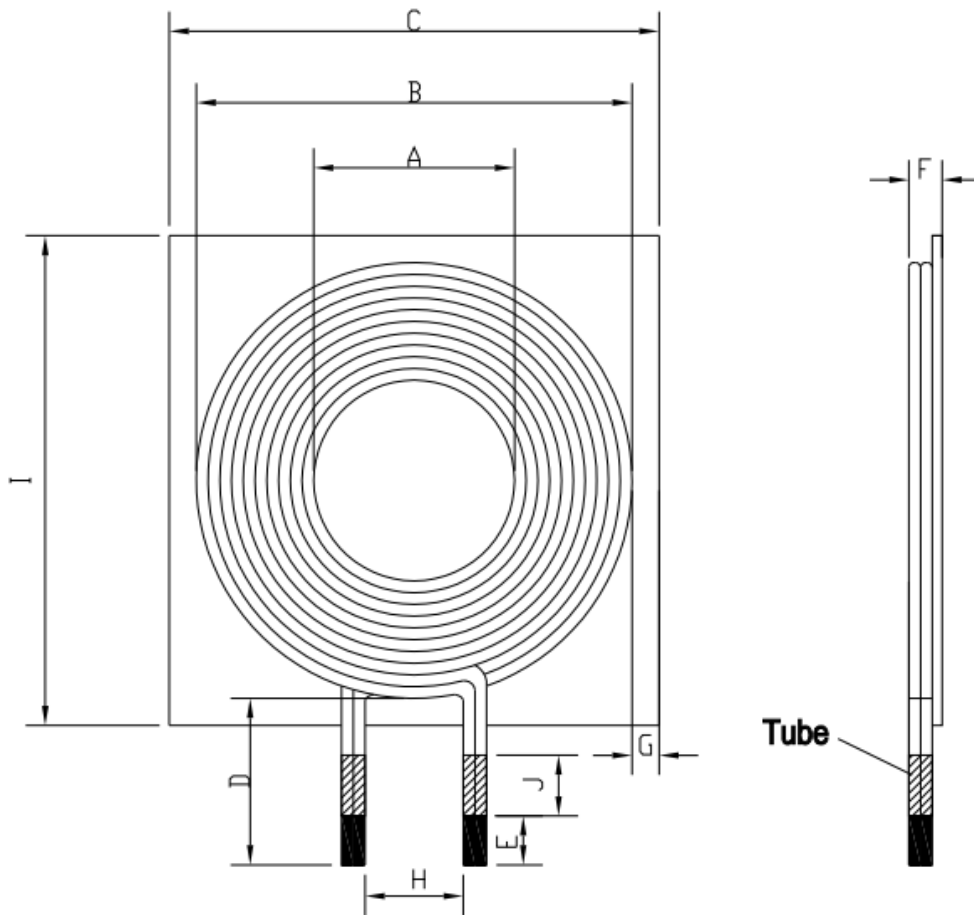
**1. Part No. Expression:**

**STX5050046R3KMPA11**

(a)        (b)        (c) (d)        (e)

- a) Series Code
- b) Dimension Code
- c) Inductance Code
- d) Tolerance Code
- e) Qi Design Type Code

**2. Configuration & Dimensions: (Unit:- mm)**



A	B	C	D	E	F	G	H	I	J
20.5±0.5	44.0±1.5	50.0±0.6	17.0±2.0	5.0±2.0	4.0 Max.	2.0 Min.	10.0 Ref.	50.0±0.6	8.0 Ref

NOTE: Specifications subject to change without notice. Please check our website for latest information.

**3. Schematic:**



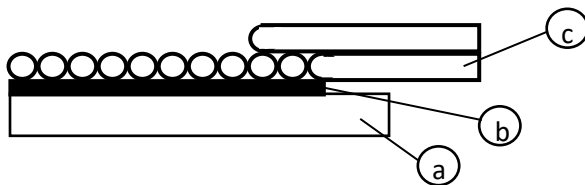
**4. Electrical Characteristics:**

Inductance (uH)	Test Frequency (Hz)	DCR (mΩ)	Irms (mA)
6.3±10%	1V/100K	25 Max.	10000 Max.

**5. General Specifications:**

- a) Operating Temp: -40°C ~ +85°C
- b) Storage Temp: -40°C ~ +85°C (packaging)
- c) Irms: Based on temp. rise up to 40°C Max.
- d) Power Rating: 15W
- e) Compatible to Qi standard MP-A11 design.

**6. Material List:**



- (a) Ferrite Sheet (MnZn)
- (b) Adhesive
- (c) Wire

NOTE: Specifications subject to change without notice. Please check our website for latest information.