

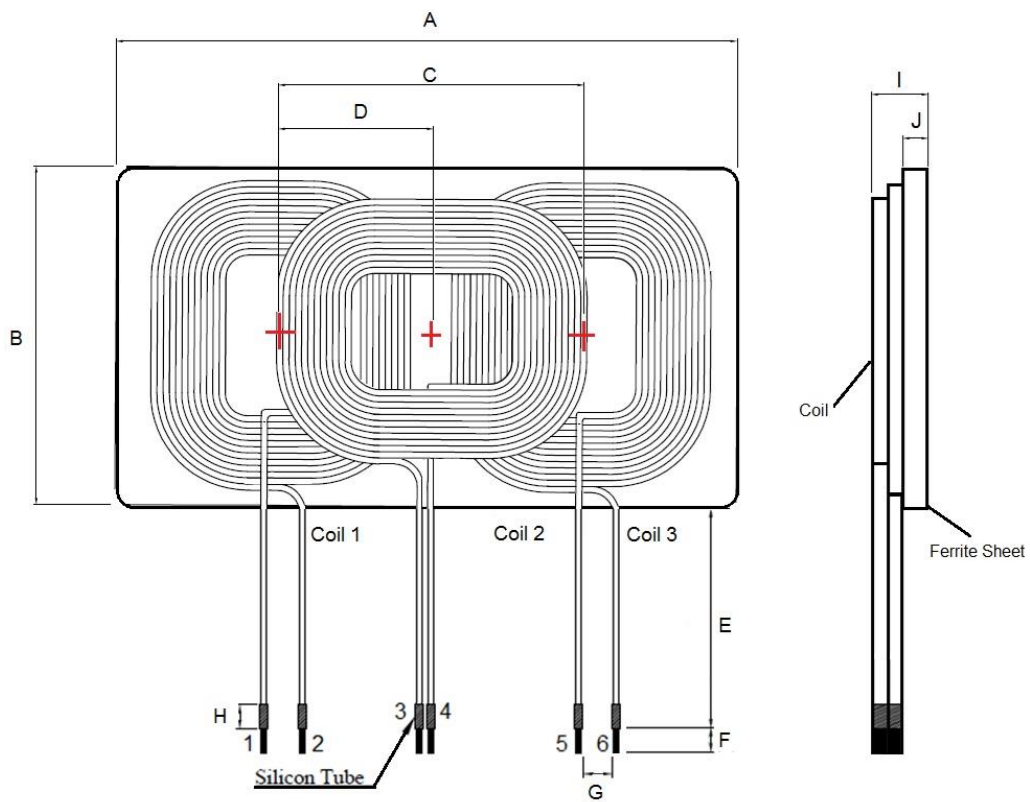
1. Part No. Expression:

STX106530612R5KT

(a) (b) (c) (d)(e)

- a) Series Code d) Tolerance Code
- b) Dimension Code e) Internal Code
- c) Inductance Code

2. Configuration & Dimensions : (Unit-mm)



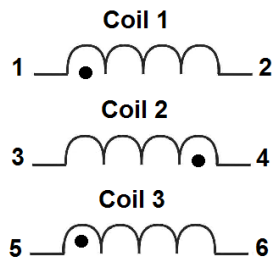
Note:

- Pin 1, 4, & 5 : Red Silicon Tube
- Pin 2, 3, & 6: Black Silicon Tube

A	B	C	D	E	F	G	H
106.0±1.0	53.0±0.5	49.2±4.0	24.6±2.0	20.0±2.0	5.0±1.0	5.0 Ref.	5.0±1.0
I	J						
6.0 Max.	2.5±0.5						

NOTE: Specifications subject to change without notice. Please check our website for latest information.

3. Schematic



4. Electrical Characteristics

Coil 1 and 3:

Inductance (uH)	Test Frequency (Hz)	DCR Typ. (mΩ)	DCR Max. (mΩ)	Irms (A)
12.5±10%	1V/100K	60	80	6.5

Coil 2:

Inductance (uH)	Test Frequency (Hz)	DCR Typ. (mΩ)	DCR Max. (mΩ)	Irms (A)
11.5±10%	1V/100K	60	80	6.5

5. General Specification:

- a) Operating Temp. : -40°C ~ +85°C
- b) Storage Temp. : -40°C ~ +85°C (packaging)
- c) I rms: Base on temp. rise up to 40°C Max.
- d) Power Rating : 5W ~ 15W
- e) Compliance to Qi standard A6 and MP-A13 design

6. Material List :



- (a) Ferrite Sheet(MnZn)
- (b) Wire
- (c) Adhesive

NOTE: Specifications subject to change without notice. Please check our website for latest information.