

1. PART NO. EXPRESSION :

S T F 0 7 0 3 2 5 0 Y Z F
 (a) (b) (c) (d)(e)(f)

(a) Series code

(b) Dimension code

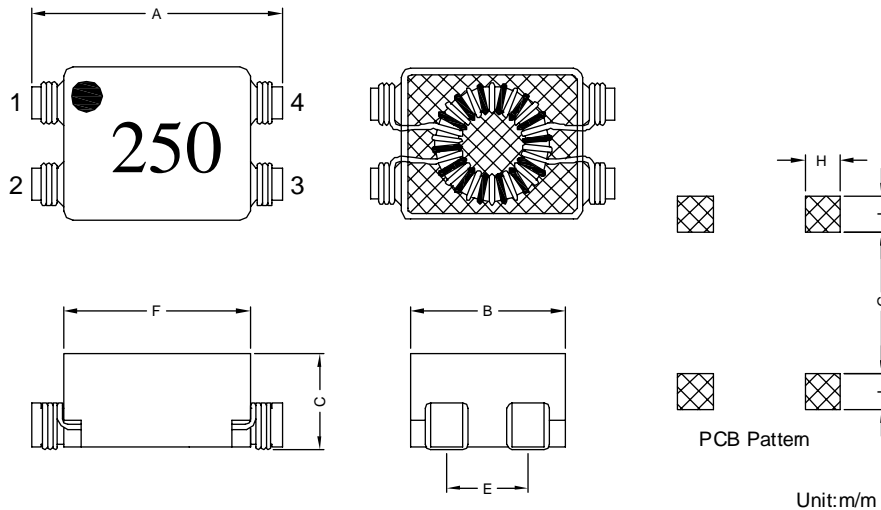
(c) Inductance code : 250 = 25.0uH

(d) Tolerance code : Y = ±40%

(e) Z : Standard part

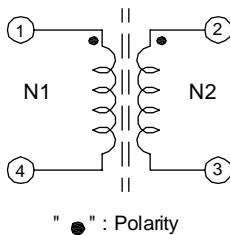
(f) F : RoHS Compliant

2. CONFIGURATION & DIMENSIONS :

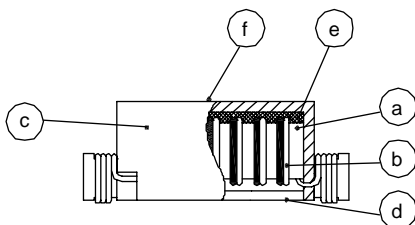


A	B	C	E	F	G	H	I
8.00±0.2	5.30±0.2	3.50 Max.	2.54±0.3	5.80±0.2	5.00 Ref.	1.50 Ref.	1.80 Ref.

3. SCHEMATIC :



4. MATERIALS :



(a) Core

(b) Wire

(c) Base

(d) Cover

(e) Adhesive

(f) Ink



RoHS Compliant

NOTE : Specifications subject to change without notice. Please check our website for latest information.



5. GENERAL SPECIFICATION :

- a) Temp. rise : 45° C Max. at rated current
- b) Operating temp. : -40° C to +125° C
- c) Storage condition (component in its packaging)
 - i) Temperature : -10 to 40° C
 - ii) Humidity : 60%
- d) Resistance to solder heat : 260° C. 10secs

6. ELECTRICAL CHARACTERISTICS :

Part No.	Inductance L1 , L2 (μH)	DC Resistance N1 , N2 (Ω)	Rated Current (A)	Impedance (Ω)	Frequency Range (MHz)
STF07036R0YZF	6.0± 40%	0.040 Max.	2.00	90 Min.	30 ~ 500
STF0703250YZF	25.0± 40%	0.070 Max.	1.60	300 Min.	20 ~ 200
STF0703550YZF	55.0± 40%	0.130 Max.	1.10	500 Min.	6 ~ 80
STF0703101YZF	100.0± 40%	0.220 Max.	0.90	600 Min.	4 ~ 40
STF0703151YZF	150.0± 40%	0.420 Max.	0.65	900 Min.	3 ~ 30

* Hi-Pot Test (N1-N2) : 500VAC 60Hz 3mA 1 Minute



RoHS Compliant

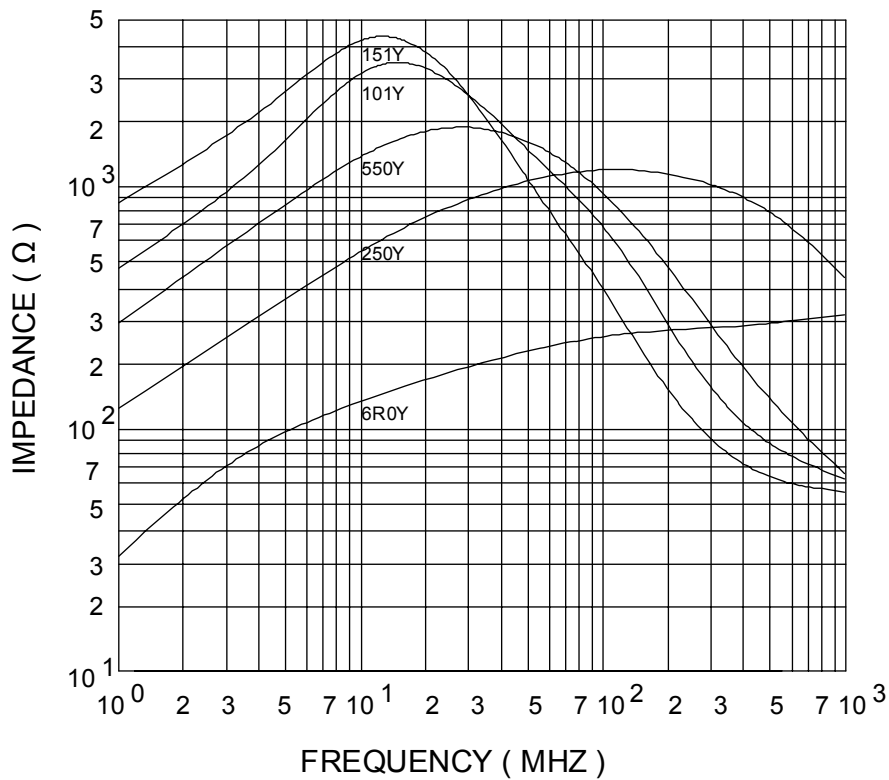
NOTE : Specifications subject to change without notice. Please check our website for latest information.

06.01.2015

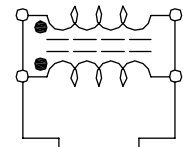


SUPERWORLD ELECTRONICS (S) PTE LTD

7. IMPEDANCE VS. FREQUENCY :



Measuring Circuit :



RF Impedance Analyzer



RoHS Compliant

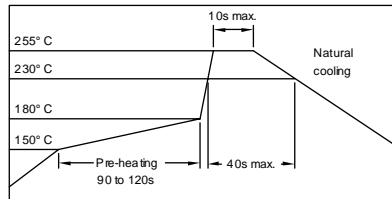
NOTE : Specifications subject to change without notice. Please check our website for latest information.

06.01.2015



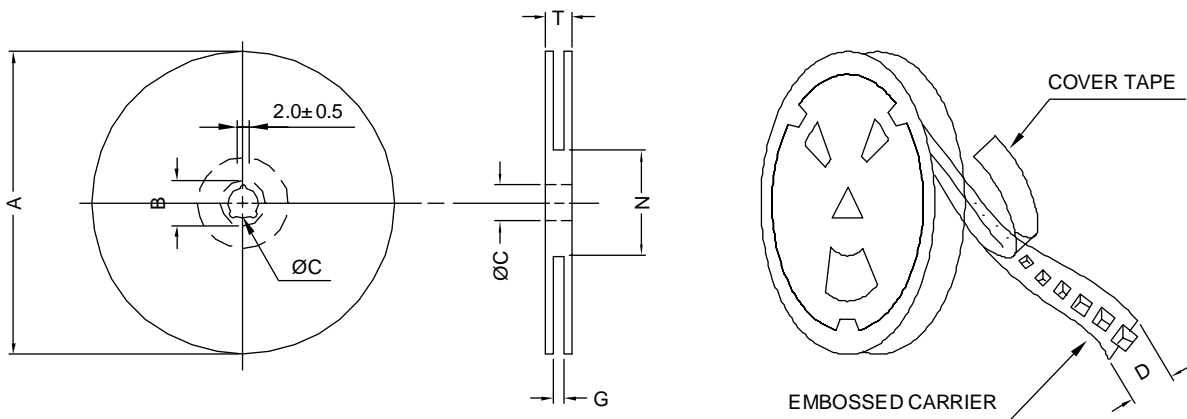
SUPERWORLD ELECTRONICS (S) PTE LTD

RECOMMENDED SOLDERING CONDITIONS REFLOW SOLDERINGS

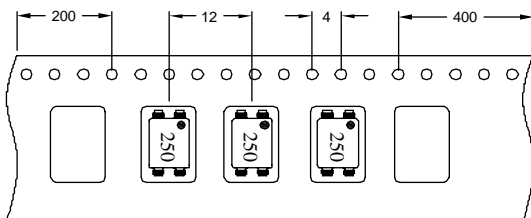


8. PACKAGING INFORMATION :

(1) CONFIGURATION



* CARRIER TAPE WIDTH : D



(2) DIMENSIONS

Unit:m/m

STYLE	A	B	C	D	G	N	T
13-16	330	21±0.8	13±0.5	16	18 ⁺⁰	50 ⁻⁰	22.4

(3) QTY & G.W. PER PACKAGE

SERIES	INNER : REEL			OUTER : CARTON		
	QTY (PCS)	G.W. (gw)	STYLE	QTY (PCS)	G.W. (Kg)	SIZE (cm)
STF0703	1500	1200	13-16	9000	10.7	40 x 40 x 24



RoHS Compliant

NOTE : Specifications subject to change without notice. Please check our website for latest information.

