

1. Part No. Expression:

SSB1004101MZ F

(a) (b) (c) (d) (e)(f)

(a) Series Code

(b) Dimension Code

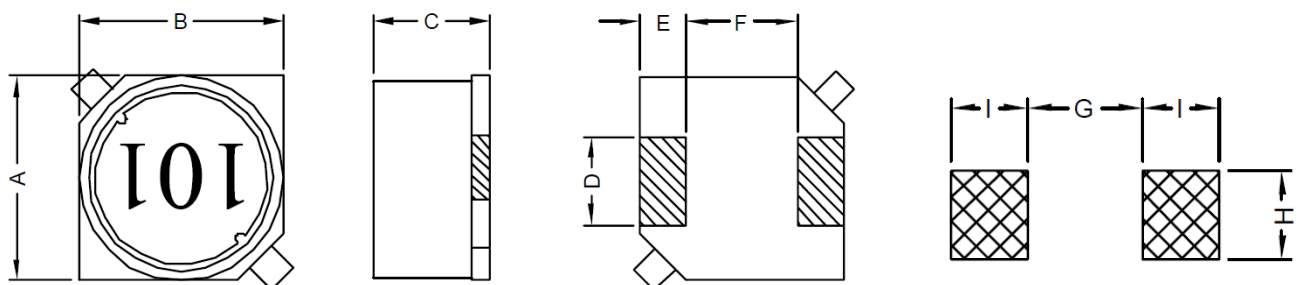
(c) Inductance Code

(d) Tolerance Code

(e) Standard Code

(f) RoHS Compliant

2. Configuration & Dimensions :



Recommended PCB Pattern

Unit: mm

A	B	C	D	E	F	G	H	I
10.0±0.3	10.0±0.3	4.6±0.3	2.4±0.2	2.0±0.2	6.0±0.2	5.70 Ref.	2.80 Ref.	2.50 Ref.

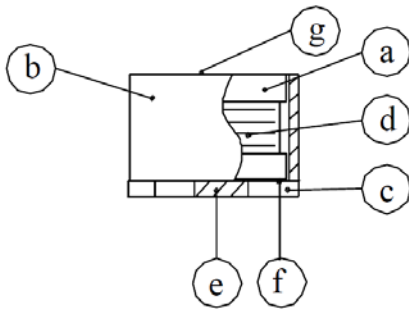
3. Schematic



NOTE: Specifications subject to change without notice. Please check our website for latest information.



4. Material List



- a) DR Core
- b) RI Core
- c) Base
- d) Wire
- e) Terminal
- f) Adhesive
- g) Ink

5. General Specification

- a) Temp. rise: 40°C Max.
- b) Rated Current: Base on temp. rise & $\Delta L/L_0 = 30\%$ Max.
- c) Operating Temperature: -40°C to 125°C
- d) Storage Temperature: -40°C to 125°C

NOTE: Specifications subject to change without notice. Please check our website for latest information.



6. Electrical Characteristics

Part Number	Inductance (uH)	Test Frequency (Hz)	RDC (mΩ) Max.	IDC (A)
SSB10041R5YZF	1.5	1V/100K	21	5.00
SSB10042R2YZF	2.2	1V/100K	24	4.50
SSB10043R3YZF	3.3	1V/100K	26	4.00
SSB10044R7YZF	4.7	1V/100K	30	3.00
SSB10046R8YZF	6.8	1V/100K	35	2.50
SSB1004100□ZF	10.0	1V/100K	42	2.20
SSB1004120□ZF	12.0	1V/100K	50	2.00
SSB1004150□ZF	15.0	1V/100K	55	1.80
SSB1004180□ZF	18.0	1V/100K	60	1.70
SSB1004220□ZF	22.0	1V/100K	80	1.50
SSB1004270□ZF	27.0	1V/100K	85	1.20
SSB1004330□ZF	33.0	1V/100K	110	1.15
SSB1004390□ZF	39.0	1V/100K	120	1.10
SSB1004470□ZF	47.0	1V/100K	150	1.00
SSB1004560□ZF	56.0	1V/100K	160	0.90
SSB1004680□ZF	68.0	1V/100K	190	0.85
SSB1004820□ZF	82.0	1V/100K	210	0.80
SSB1004101□ZF	100	1V/100K	300	0.70
SSB1004121□ZF	120	1V/100K	330	0.65
SSB1004151□ZF	150	1V/100K	360	0.55
SSB1004181□ZF	180	1V/100K	510	0.50
SSB1004221□ZF	220	1V/100K	560	0.45
SSB1004271□ZF	270	1V/100K	700	0.40
SSB1004331□ZF	330	1V/100K	760	0.37
SSB1004391□ZF	390	1V/100K	1050	0.32
SSB1004471□ZF	470	1V/100K	1100	0.30
SSB1004561□ZF	560	1V/100K	1250	0.28
SSB1004681□ZF	680	1V/100K	1700	0.24
SSB1004821□ZF	820	1V/100K	1900	0.23
SSB1004102□ZF	1000	1V/100K	2150	0.22

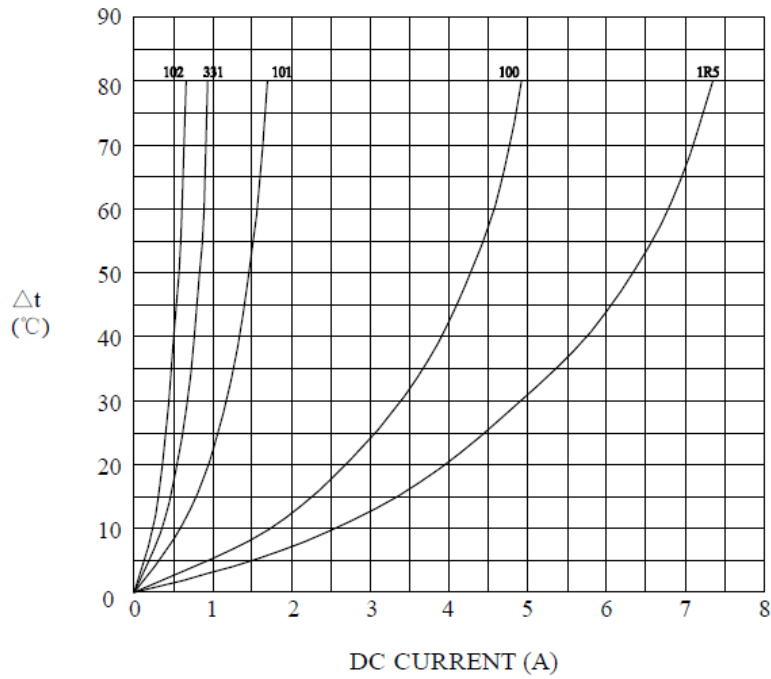
Note: Tolerance Y = \pm 30% , M= \pm 20%

NOTE: Specifications subject to change without notice. Please check our website for latest information.

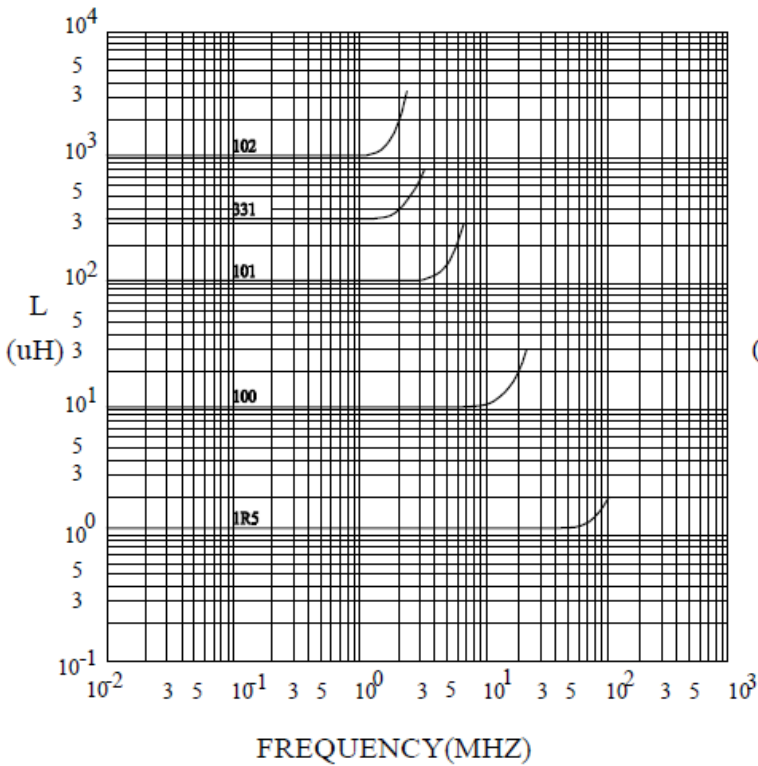


7. Characteristic Curves

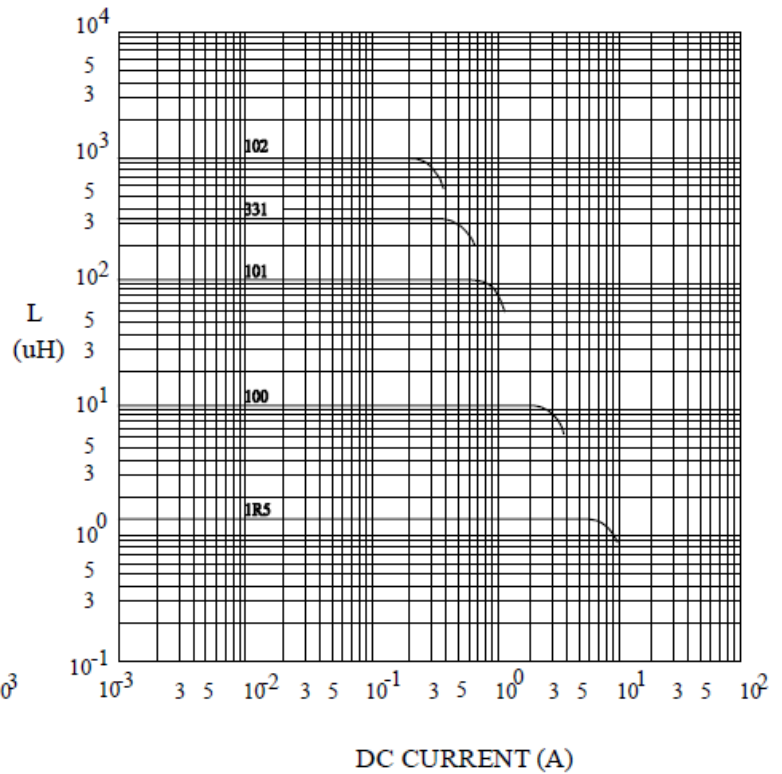
@ TEMP. RISE VS. DC SUPERPOSITION RESPONSE CURVE



@ INDUCTANCE VS. FREQUENCY RESPONSE CURVE



@ INDUCTANCE VS. DC SUPERPOSITION RESPONSE CURVE

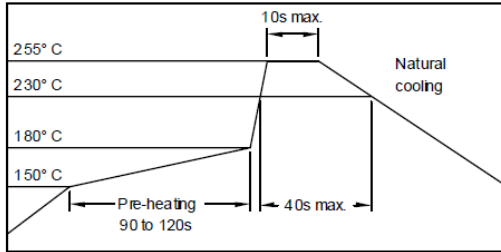


NOTE: Specifications subject to change without notice. Please check our website for latest information.



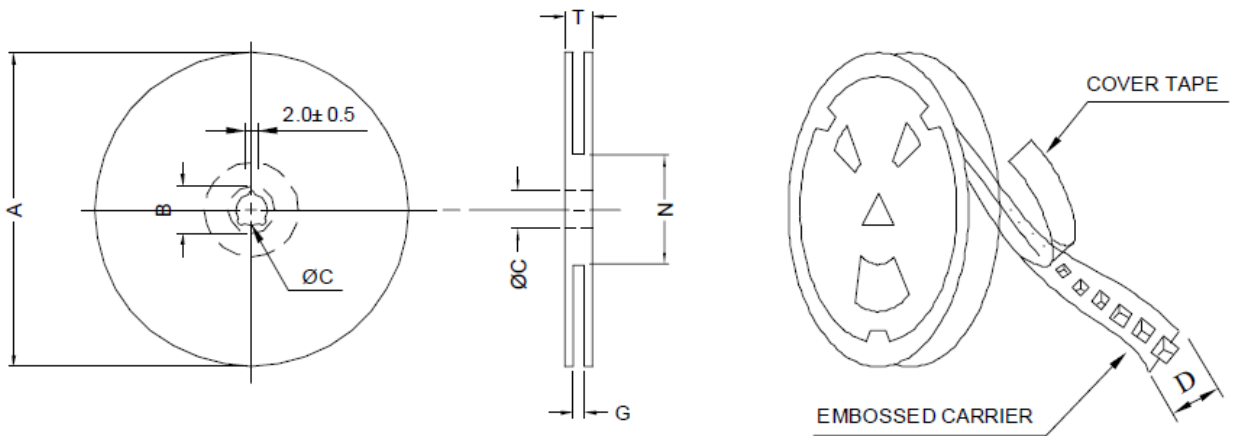
8. Soldering

RECOMMENDED SOLDERING CONDITIONS
REFLOW SOLDERINGS

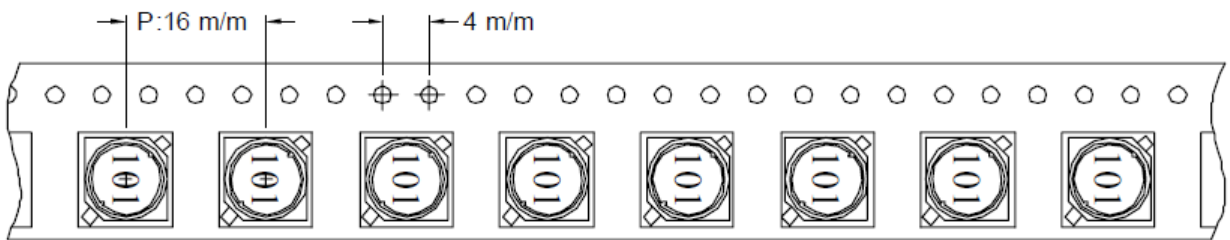


9. Packaging Information

9-1 Tape & Reel Dimension



* CARRIER TAPE WIDTH : D



Style	A (mm)	B (mm)	C (mm)	D (mm)	G (mm)	N (mm)	T (mm)
13-24	330	21±0.8	13±0.5	24	26 Max.	50 Min.	30.4

NOTE: Specifications subject to change without notice. Please check our website for latest information.



9-2. Quantity & G.W. Per Package

Series	Inner: Reel		Outer: Carton		
	Qty (pcs)	G.W (gw)	Qty (pcs)	G.W (kg)	Size (cm)
SSB1004	600	1000	2400	7.5	38x36.5x21

NOTE: Specifications subject to change without notice. Please check our website for latest information.

