

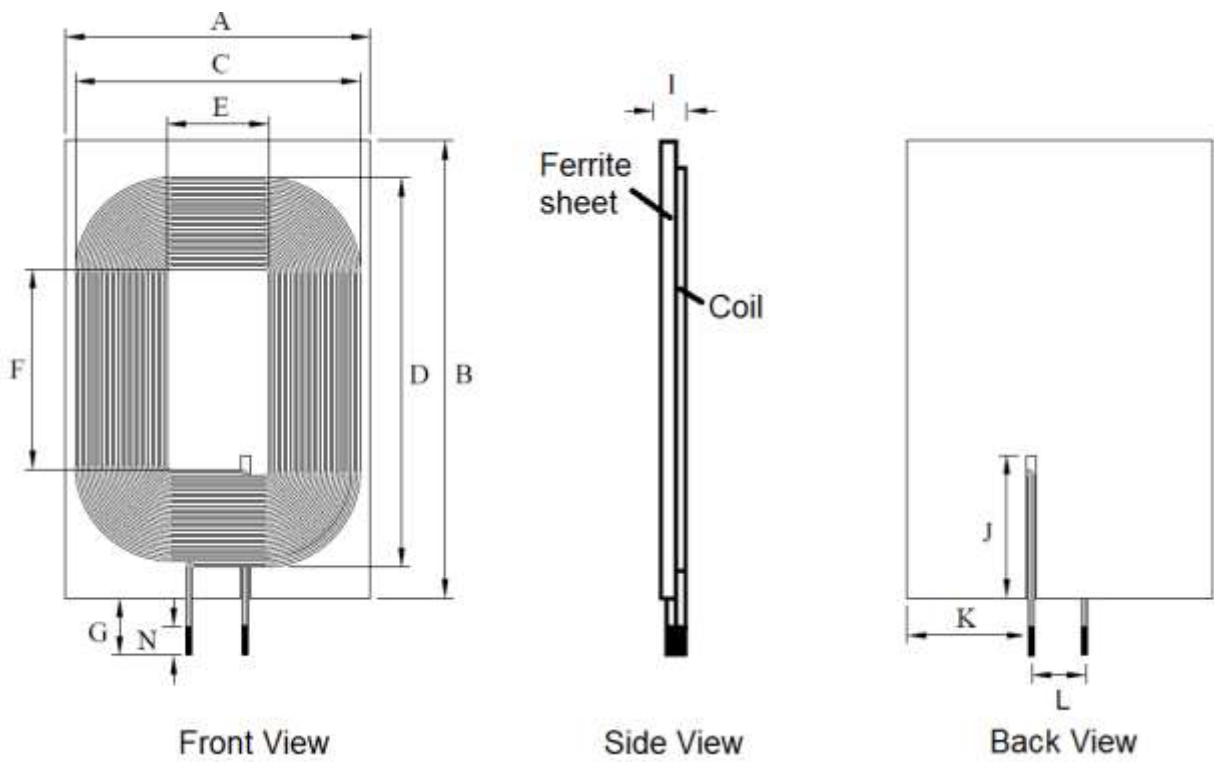
1. Part No. Expression:

S R X 3 2 4 8 0 1 1 3 0 K

(a) (b) (c) (d)

- a) Series code b) Dimension Code
- c) Inductance Code d) Tolerance code

2. Configuration & Dimensions: (Unit-mm)



A	B	C	D	E	F	G
32.0±0.5	48.0±0.5	30.9 Ref	41.8 Ref	10.6±1.0	20.5±1.0	3.0±1.0
I	J	K	L	N		
1.2 Max	14.5±0.2	13.0±0.2	4.0 Ref	2.0±0.5		

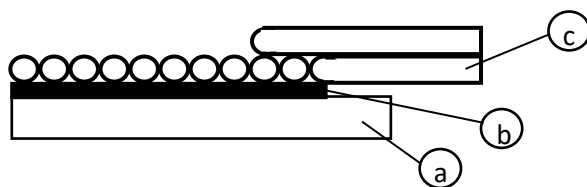
NOTE: Specifications subject to change without notice. Please check our website for latest information.

3. Schematic:**4. Electrical Characteristics:**

Inductance (uH)	Test Frequency (Hz)	DCR (mΩ)	Irms (mA)
13.0±10%	1V/100K	200 Max	3000 Max

5. General Specifications:

- a) Operating Temp.: -40°C ~ +85°C
- b) Storage Temp.: -40°C ~ +85°C (packaging)
- c) Irms: Based on temp. rise up to 40°C Max.
- d) Power Rating: 5W ~ 15W

6. Material List:

- (a) Mn-Zn Ferrite Sheet (Thickness: 0.5mm Typ)
- (b) Adhesive
- (c) Wire

NOTE: Specifications subject to change without notice. Please check our website for latest information.