

1. Part No. Expression:

SPTPQID2T – B6059

(a) (b) (c) (d)

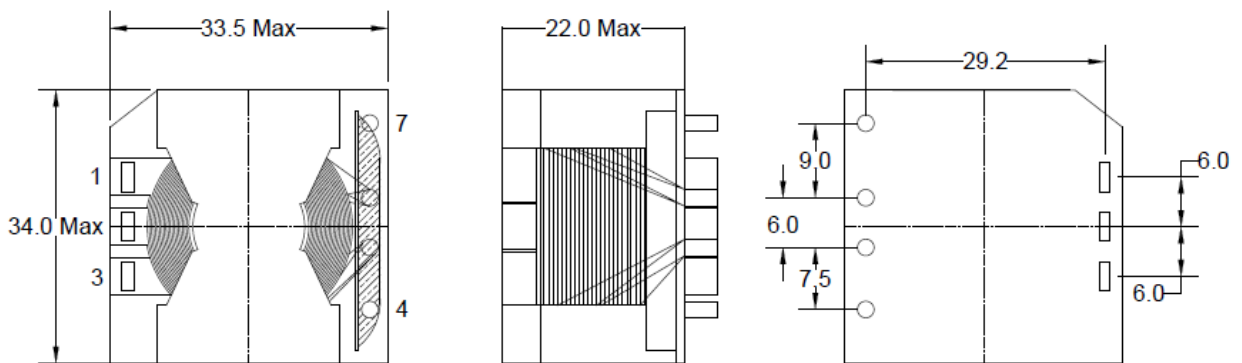
a) Series Code

b) Core Size

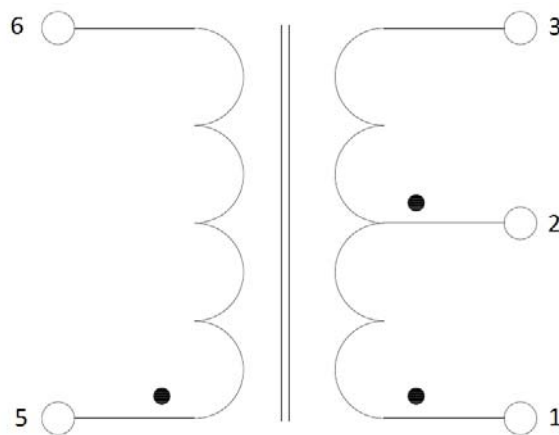
c) Type: Thru Hole

d) Internal Control

2. Configuration & Dimensions:



3. Schematic:



4. Features and Application

- (a) Working Frequency : 50 kHz ~ 150kHz
- (b) Withstand Voltage : 3750 VDC
- (c) Working Temperature Range : -40°C ~ 125°C
- (d) Maximum Output Power : 250W

5. Electrical Specifications

Description	Pin no	Specification
Inductance	5 – 6	0.8 mH \pm 10%
Leakage Inductance	5 – 6(tie 1,2,3)	6.0 uH MAX
DC Resistance	5 – 6	65 m Ω
	1 – 2	0.5 m Ω
	2 – 3	0.5 m Ω
Turns Ratio	5-6 : 1-2 : 2-3	26 : 1 : 1

Remarks : Please contact Superworld Sales Rep at sales@superworld.com.sg for custom transformer.