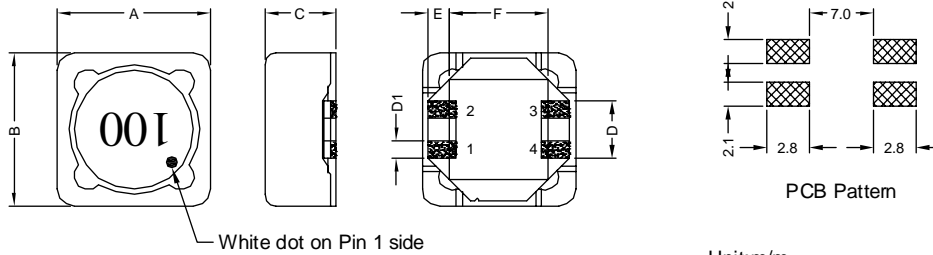


### 1. PART NO. EXPRESSION :

S P B 1 2 0 7 1 0 0 M Z F  
 (a) (b) (c) (d)(e)(f)

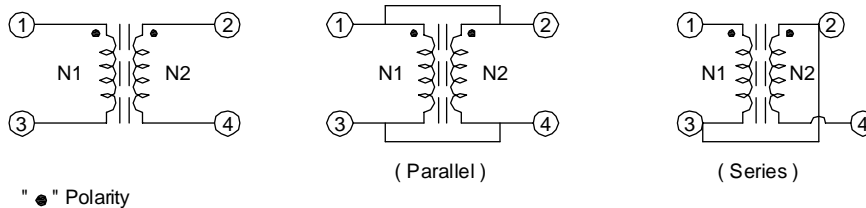
- (a) Series code
- (b) Dimension code
- (c) Inductance code : 100 = 10uH
- (d) Tolerance code : M = ±20%, Y = ±30%
- (e) Z : Standard part
- (f) F : RoHS Compliant

### 2. CONFIGURATION & DIMENSIONS :

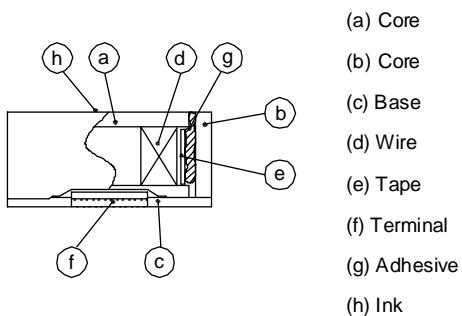


A	B	C	D	D1	E	F
12.5±0.3	12.5±0.3	8.00 Max.	5.00 Ref.	1.70 Ref.	2.20 Ref.	7.6 Ref.

### 3. SCHEMATIC :



### 4. MATERIALS :



**RoHS Compliant**

NOTE : Specifications subject to change without notice. Please check our website for latest information.

06.01.2015

## 5. GENERAL SPECIFICATION :

- a)  $\Delta L/L_{OA}$  : 30% Typ. at  $I_{sat}$
- b) Temp. Rise : 40° C Typ. at  $I_{rms}$
- c) Hi-Pot (N1-N2) : 200Vac / 3mA / 1sec
- d) Operating temp. : -40° C to +125° C
- e) Storage condition (component in its packaging)
  - i) Temperature : -10 to 40° C
  - ii) Humidity : 60%
- f) Resistance to solder heat : 260° C.10secs

## 6. ELECTRICAL CHARACTERISTICS :

Part No.	Inductance ( $\mu H$ ) Ref.	Test Frequency (Hz)	Parallel				Series			
			Inductance ( $\mu H$ ) Ref.	RDC ( $\Omega$ ) Max.	$I_{sat}$ (A)	$I_{rms}$ (A)	Inductance ( $\mu H$ ) Ref.	RDC ( $\Omega$ ) Max.	$I_{sat}$ (A)	$I_{rms}$ (A)
SPB1207R50YZF	0.500	0.25V/100K	0.520	0.0058	35.00	13.50	1.900	0.0260	18.00	6.720
SPB12071R0YZF	1.000	0.25V/100K	0.821	0.0085	24.00	10.00	3.284	0.0374	12.00	5.000
SPB12071R5YZF	1.500	0.25V/100K	1.357	0.0106	19.00	8.60	5.428	0.4500	9.20	4.300
SPB12072R2YZF	2.200	0.25V/100K	2.027	0.0127	16.00	8.30	8.108	0.0522	7.60	4.150
SPB12073R3YZF	3.300	0.25V/100K	2.831	0.0138	14.00	8.30	11.320	0.0570	7.20	4.150
SPB12074R5YZF	4.500	0.25V/100K	4.380	0.0169	11.80	6.50	17.520	0.0697	5.90	3.250
SPB12076R8YZF	6.800	0.25V/100K	7.387	0.0206	9.70	5.50	29.550	0.0899	4.70	2.750
SPB12078R2YZF	8.200	0.25V/100K	8.861	0.0223	8.50	5.30	35.440	0.0949	4.15	2.650
SPB1207100MZF	10.000	0.25V/100K	10.470	0.0238	7.50	5.20	41.880	0.1016	3.80	2.600
SPB1207150MZF	15.000	0.25V/100K	14.090	0.0301	6.00	4.30	56.360	0.1258	2.95	2.150
SPB1207220MZF	22.000	0.25V/100K	22.930	0.0391	5.25	4.00	91.720	0.1570	2.60	2.000
SPB1207330MZF	33.000	0.25V/100K	33.920	0.0600	4.15	3.23	135.700	0.2410	2.10	1.610
SPB1207470MZF	47.000	0.25V/100K	47.050	0.0719	3.50	2.95	188.200	0.2880	1.80	1.470
SPB1207680MZF	68.000	0.25V/100K	66.480	0.1050	2.95	2.44	265.900	0.4210	1.50	1.220
SPB1207820MZF	82.000	0.25V/100K	79.750	0.1430	2.75	2.09	319.000	0.5730	1.40	1.040
SPB1207101MZF	100.000	0.25V/100K	99.310	0.1630	2.56	1.96	397.200	0.6530	1.28	0.980
SPB1207151MZF	150.000	0.25V/100K	144.90	0.2470	2.10	1.59	579.600	0.9890	1.05	0.796
SPB1207221MZF	220.000	0.25V/100K	221.50	0.3760	1.64	1.29	886.000	1.5000	0.84	0.645
SPB1207331MZF	330.000	0.25V/100K	323.60	0.5740	1.40	1.04	1294.000	2.3000	0.72	0.522
SPB1207471MZF	470.000	0.25V/100K	467.10	0.8610	1.17	0.85	1868.000	3.4400	0.55	0.427
SPB1207681MZF	680.000	0.25V/100K	676.70	1.0800	0.93	0.76	2707.000	4.3200	0.43	0.380
SPB1207821MZF	820.000	0.25V/100K	818.10	1.4700	0.86	0.65	3272.000	5.8800	0.41	0.325
SPB1207102MZF	1000.00	0.25V/100K	1005.0	1.6600	0.75	0.61	4637.333	6.6400	0.35	0.307

Tolerance code : M =  $\pm 20\%$

Y =  $\pm 30\%$



**RoHS Compliant**

NOTE : Specifications subject to change without notice. Please check our website for latest information.

06.01.2015

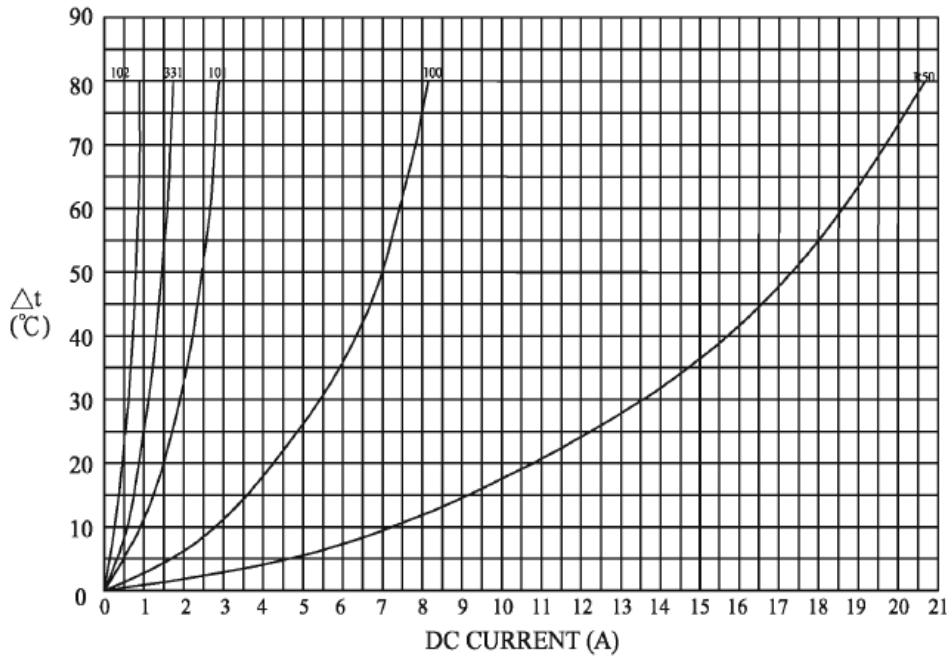


**SUPERWORLD ELECTRONICS (S) PTE LTD**

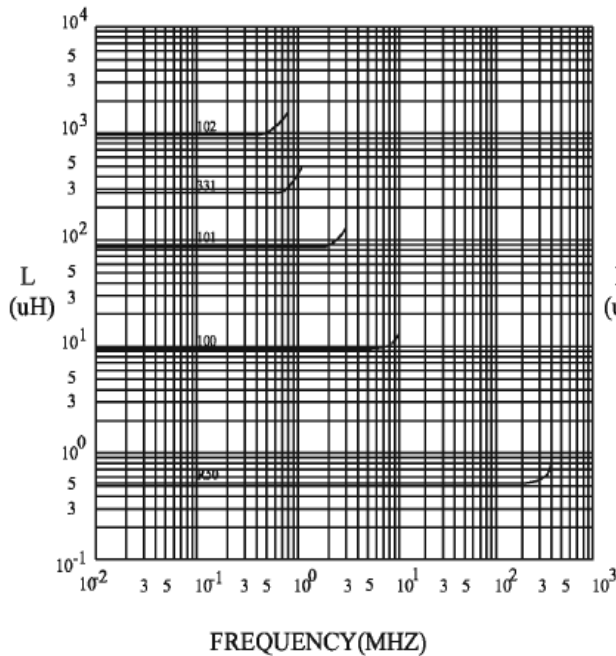
PG. 2

## 7. CHARACTERISTICS CURVES : ( PARALLEL )

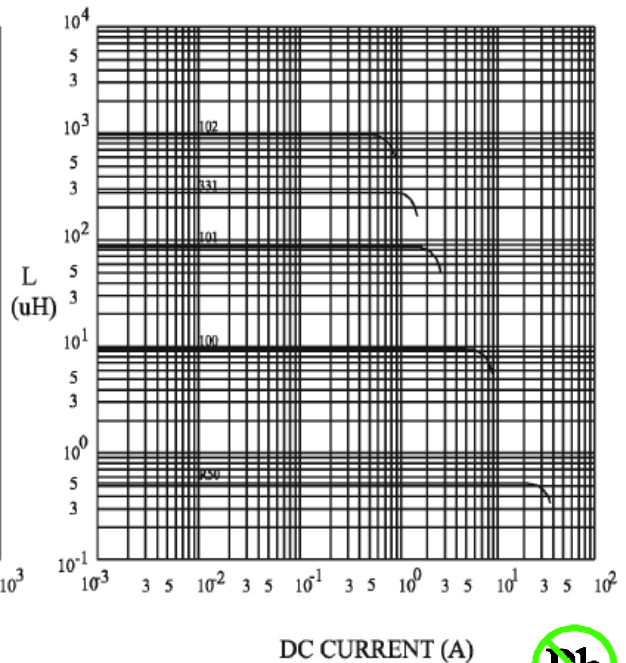
@ TEMP. RISE VS. DC SUPERPOSITION RESPONSE CURVE



@ INDUCTANCE VS. FREQUENCY RESPONSE CURVE



@ INDUCTANCE VS. DC SUPERPOSITION RESPONSE CURVE



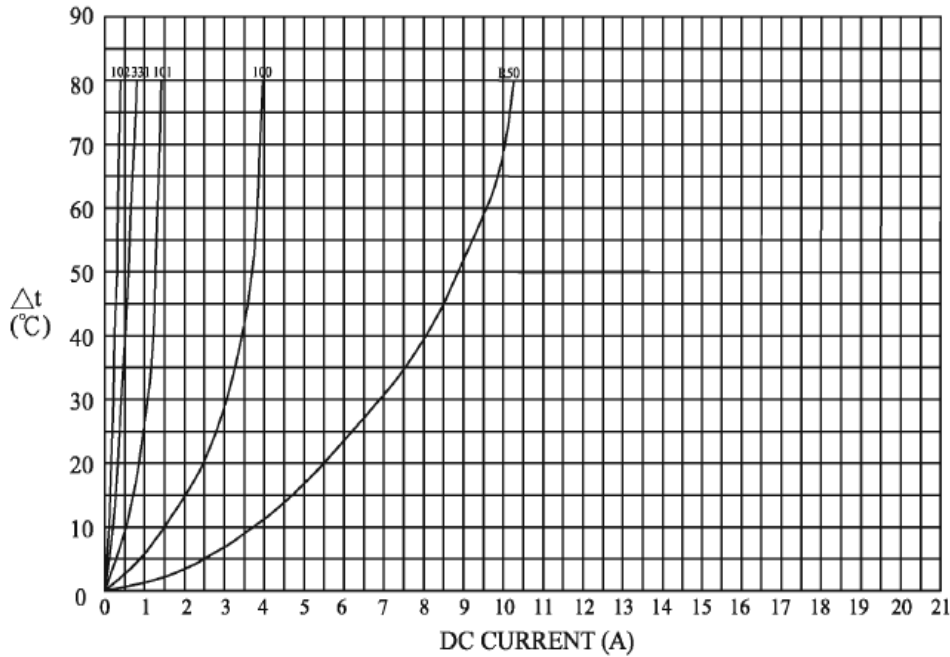
**RoHS Compliant**

NOTE : Specifications subject to change without notice. Please check our website for latest information.

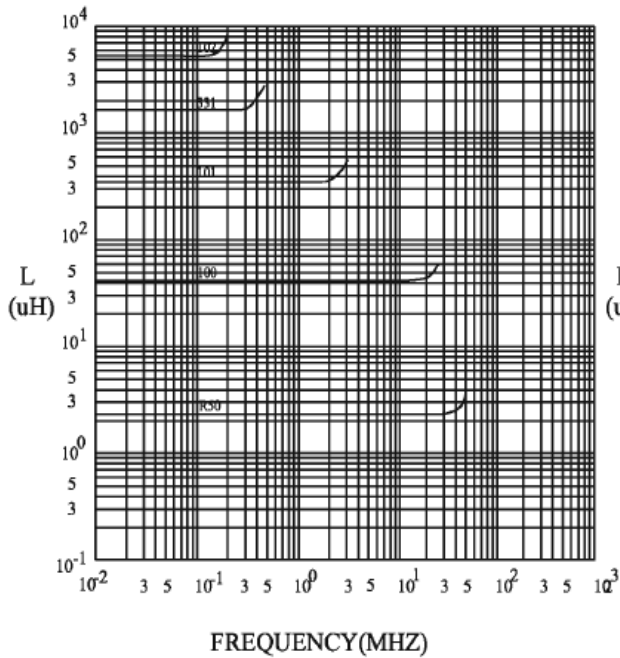


## 7. CHARACTERISTICS CURVES : ( SERIES )

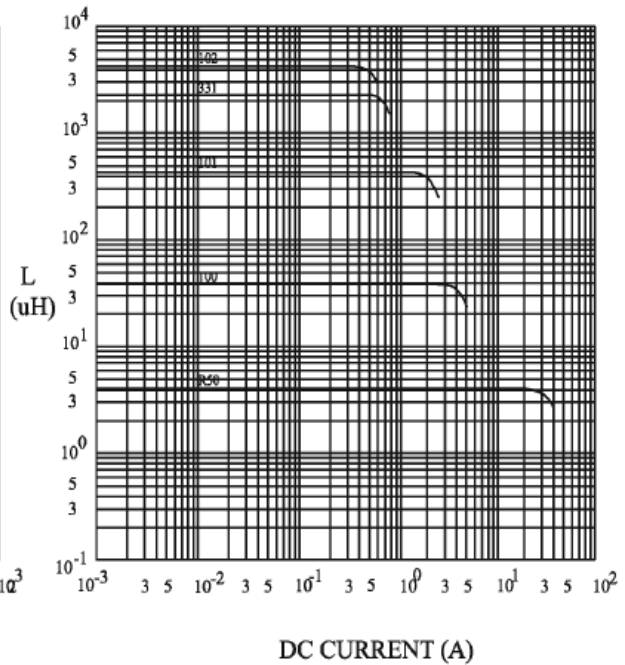
@ TEMP. RISE VS. DC SUPERPOSITION RESPONSE CURVE



@ INDUCTANCE VS. FREQUENCY RESPONSE CURVE



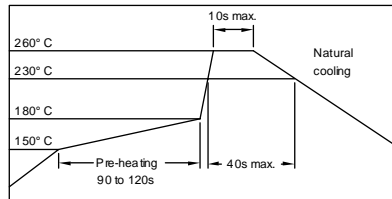
@ INDUCTANCE VS. DC SUPERPOSITION RESPONSE CURVE



NOTE : Specifications subject to change without notice. Please check our website for latest information.

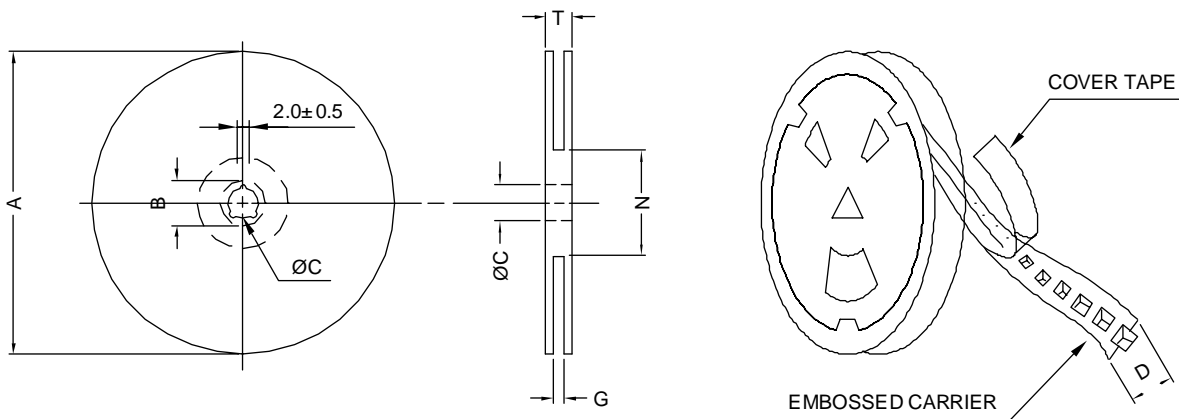


### RECOMMENDED SOLDERING CONDITIONS REFLOW SOLDERINGS

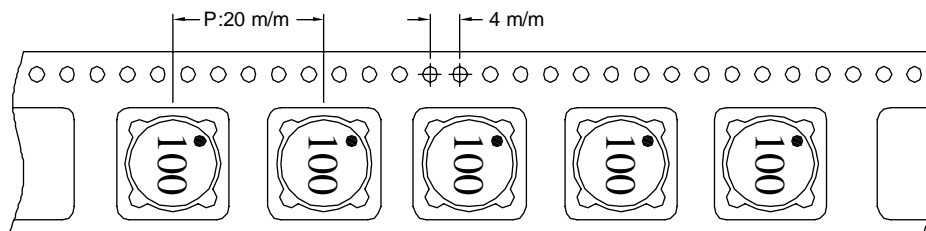


### 8. PACKAGING INFORMATION :

#### ( 1 ) CONFIGURATION



\* CARRIER TAPE WIDTH : D



#### ( 2 ) DIMENSIONS

Unit:m/m

STYLE	A	B	C	D	G	N	T
13-24	330	21±0.8	13±0.5	24	26 <sup>+0</sup>	50 <sup>-0</sup>	30.4

#### ( 3 ) QTY & G.W. PER PACKAGE

SERIES	INNER : REEL			OUTER : CARTON		
	QTY (PCS)	G.W. (gw)	STYLE	QTY (PCS)	G.W. (Kg)	SIZE (cm)
SPB1207	400	2100	13-24	1600	11.9	38 x 36.5 x 21



**RoHS Compliant**

NOTE : Specifications subject to change without notice. Please check our website for latest information.

