

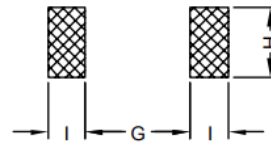
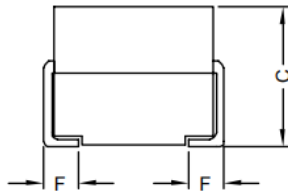
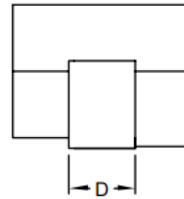
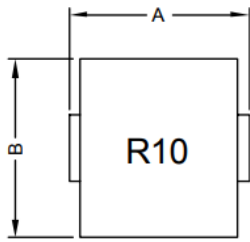
1. Part No. Expression

S M C 1 4 0 8 R 2 1 M Z F

(a) (b) (c) (d)(e)(f)

- (a) Series Code
- (b) Dimension Code
- (c) Inductance Code
- (d) Tolerance Code
- (e) Standard Products
- (f) RoHS Compliant

2. Configuration & Dimensions



Recommended PCB Pattern

Unit: mm

A	B	C	D	F	G	H	I
13.5 Max.	13.0 Max.	8.00 Max.	5.00±0.30	2.50±0.20	7.11 Ref.	7.62 Ref.	3.20 Ref.

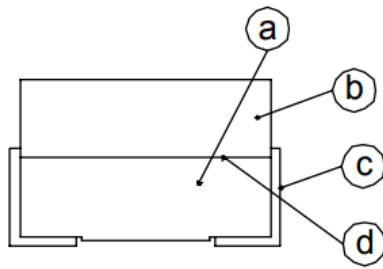
3. Schematic



NOTE: Specifications subject to change without notice. Please check our website for latest information.



4. Material List



- a) Core
- b) Core
- c) Clip
- d) Adhesive

5. General Specification

- a) Temp. Rise: 40°C Max. at Irms.
- b) ΔL/L0A: 20% Max. at Isat
- c) Operating Temperature: -40°C to 125°C
- d) Storage Temperature: -40°C to 125°C

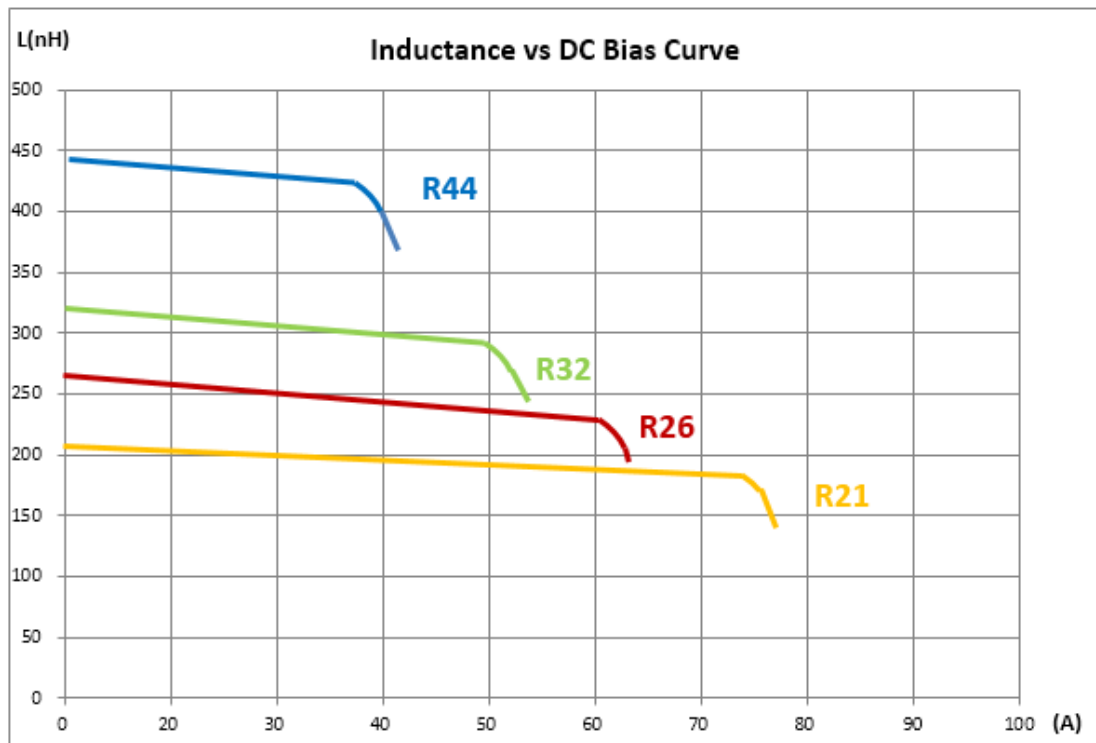
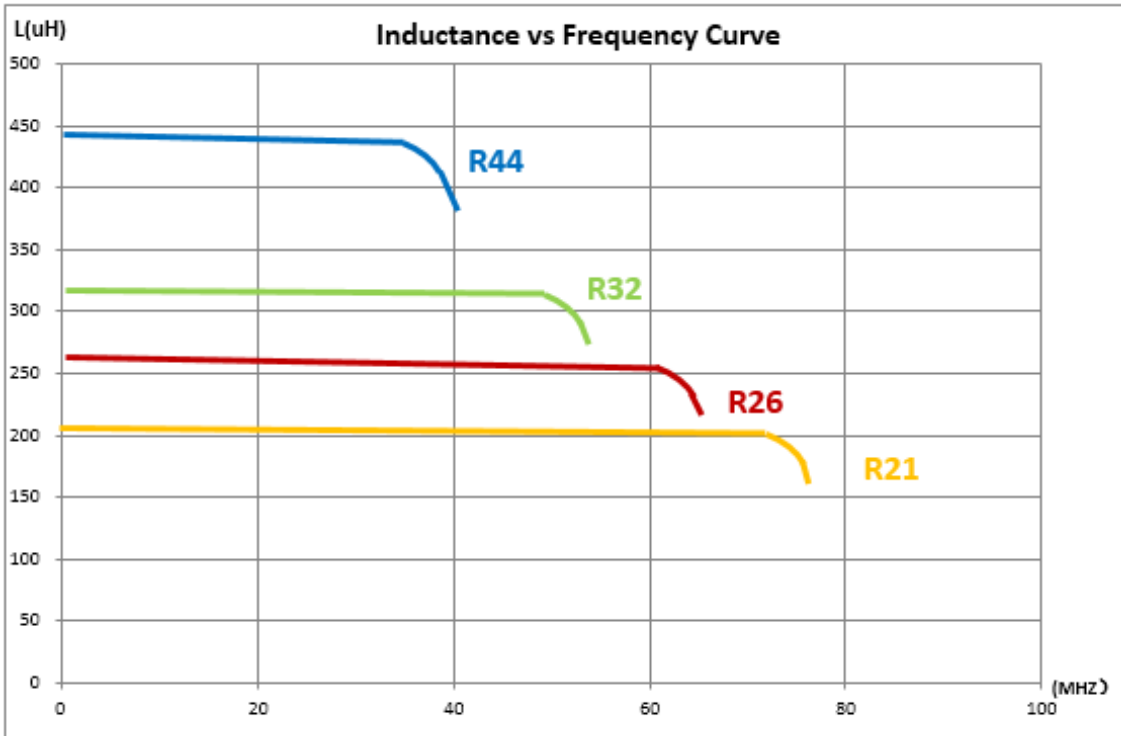
6. Electrical Characteristics

Part Number	Inductance (uH) ± 20%	Test Frequency (Hz)	DC Resistance (mΩ) Max.	Isat (A)	Irms (A)
SMC1408R21MZF	0.21	1V/100K	0.35	71	50
SMC1408R26MZF	0.26	1V/100K	0.35	60	50
SMC1408R32MZF	0.32	1V/100K	0.35	50	50
SMC1408R44MZF	0.44	1V/100K	0.35	35	50

NOTE: Specifications subject to change without notice. Please check our website for latest information.

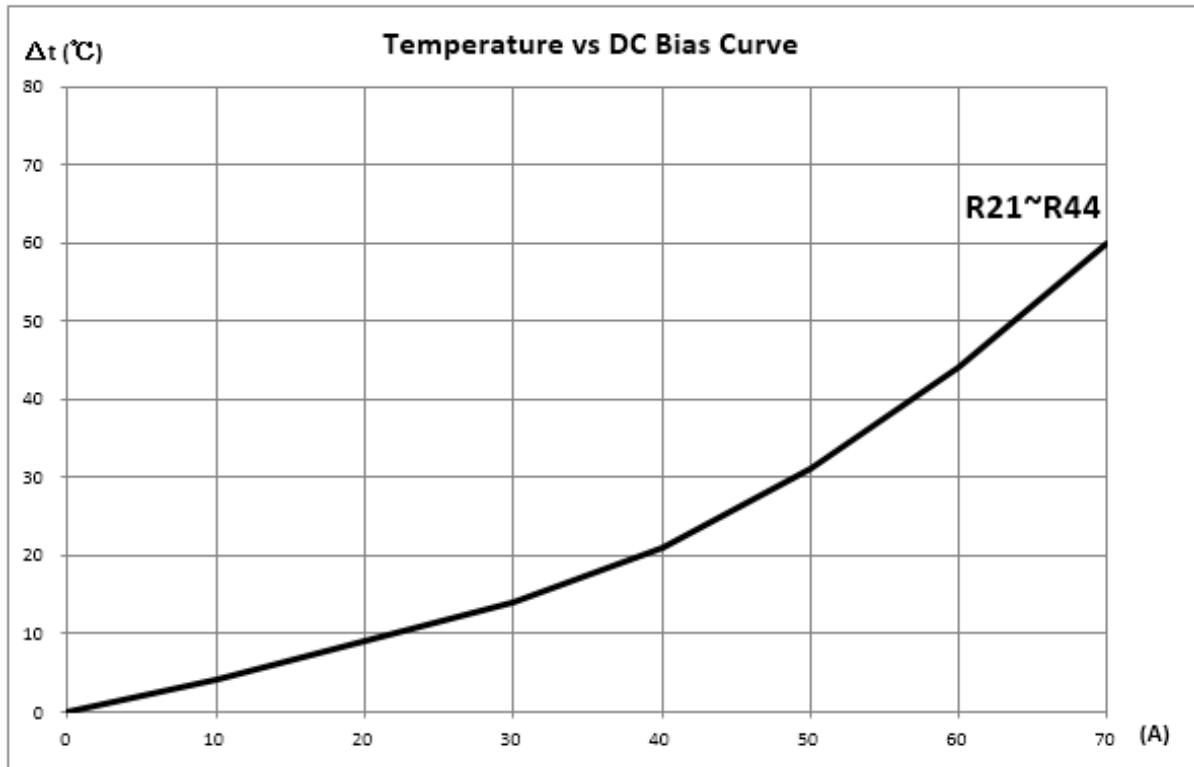


7. Characteristics Curves



NOTE: Specifications subject to change without notice. Please check our website for latest information.



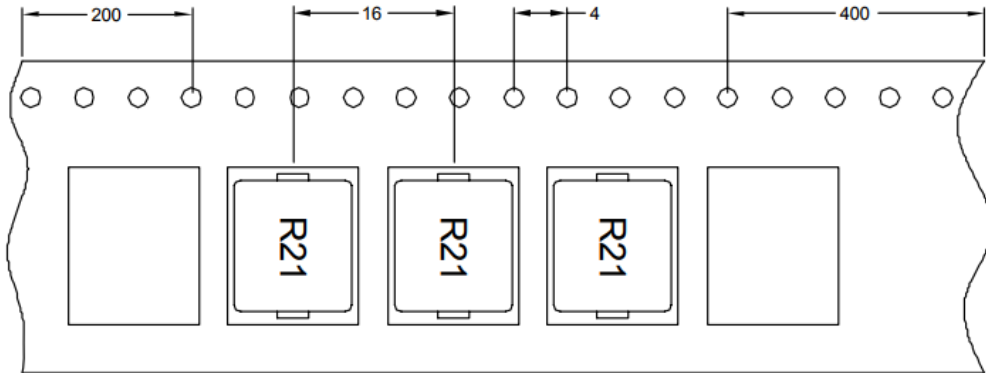
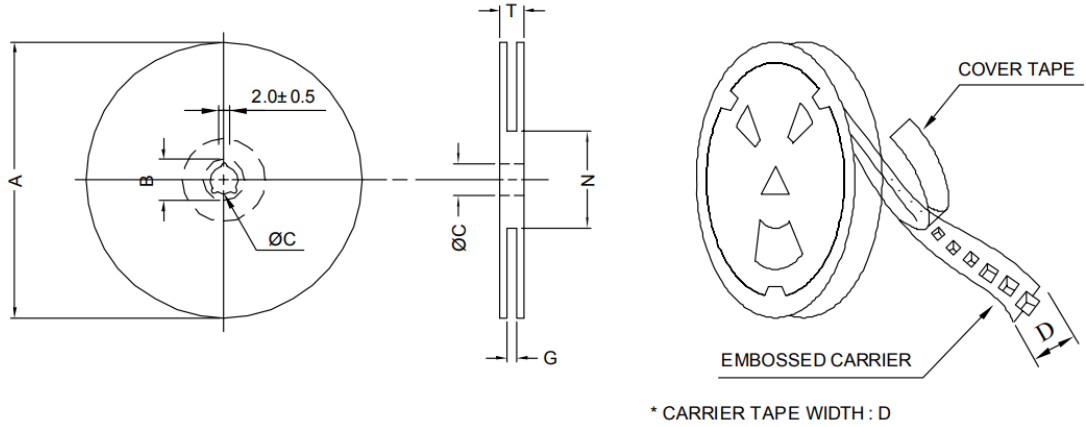


NOTE: Specifications subject to change without notice. Please check our website for latest information.



8. Packaging Information

8-1. Configuration



8-2. Dimensions (Unit: mm)

Style	A	B	C	D	G	N	T
13-24	330	21±0.8	13	24	26 Max.	50 Min.	30.4

8-3. Quantity & G.W. Per Package

Series	Inner: Reel			Outer: Carton		
	Qty (pcs)	G.W (gw)	Style	Qty (pcs)	G.W (kg)	Size (cm)
SMC1408	450	2800	13-24	1800	12.42	36 x 35.5 x14.3

NOTE: Specifications subject to change without notice. Please check our website for latest information.

