

1. Part No. Expression:

S D C 1 2 0 4 2 2 0 M F

(a) (b) (c) (d)(e)

(a) Series Code

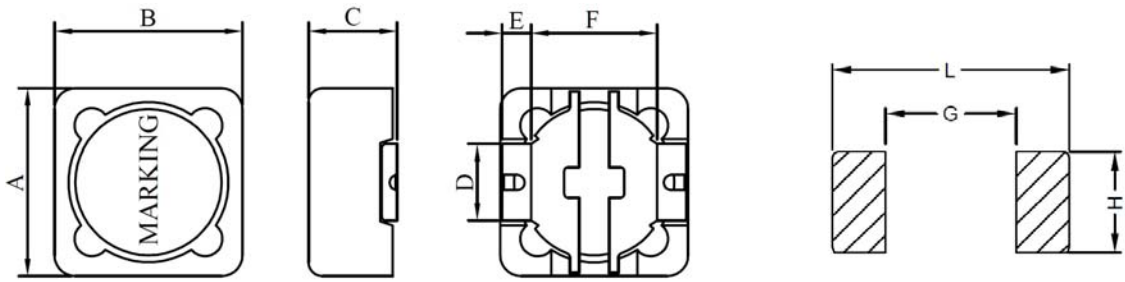
(b) Dimension Code

(c) Inductance Code

(d) Tolerance Code

(e) RoHS Compliant

2. Configuration & Dimensions :



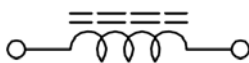
Recommended PCB Pattern

Note: Marking: Inductance code.

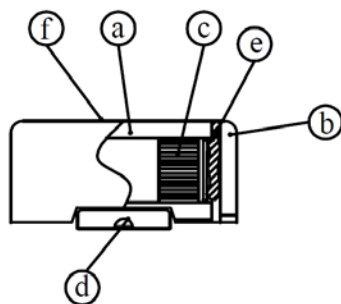
Unit: mm

A	B	C	D	E	F	G	H	L
12.8 Max.	12.8 Max.	5.0 Max.	5.0 Ref.	2.2 Ref.	7.6±0.2	7.0 Ref.	5.4 Ref.	12.6 Ref.

3. Schematic



4. Material List



a) Core

b) Core

c) Wire

d) Clip

e) Adhesive

f) Ink

NOTE: Specifications subject to change without notice. Please check our website for latest information.



5. General Specification

- a) Operating Temperature: -40°C to 125°C.
- b) Storage Temperature: -40°C to 125°C.
- c) Temp. Rise: 40°C Typ.
- d) Rated Current: Base on Temp. Rise & L/L0A ≤35%.

6. Electrical Characteristics

Part Number	Inductance (uH)	Test Frequency (Hz)	DCR (mΩ) Max.	IDC (A) Max.
SDC12043R9YF	3.9	1V/100K	15	6.50
SDC12044R7YF	4.7	1V/100K	18	5.70
SDC12046R8YF	6.8	1V/100K	23	4.90
SDC12048R2YF	8.2	1V/100K	26	4.60
SDC1204100MF	10	1V/100K	28	4.50
SDC1204120MF	12	1V/100K	38	4.00
SDC1204150MF	15	1V/100K	52	3.20
SDC1204180MF	18	1V/100K	60	3.10
SDC1204220MF	22	1V/100K	70	2.90
SDC1204270MF	27	1V/100K	80	2.80
SDC1204330MF	33	1V/100K	97	2.70
SDC1204390MF	39	1V/100K	132	2.10
SDC1204470MF	47	1V/100K	160	1.90
SDC1204560MF	56	1V/100K	190	1.80
SDC1204680MF	68	1V/100K	220	1.50
SDC1204820MF	82	1V/100K	260	1.30
SDC1204101MF	100	1V/100K	308	1.20
SDC1204121MF	120	1V/100K	380	1.10
SDC1204151MF	150	1V/100K	530	0.95
SDC1204181MF	180	1V/100K	620	0.85
SDC1204221MF	220	1V/100K	700	0.80
SDC1204271MF	270	1V/100K	870	0.60
SDC1204331MF	330	1V/100K	990	0.50

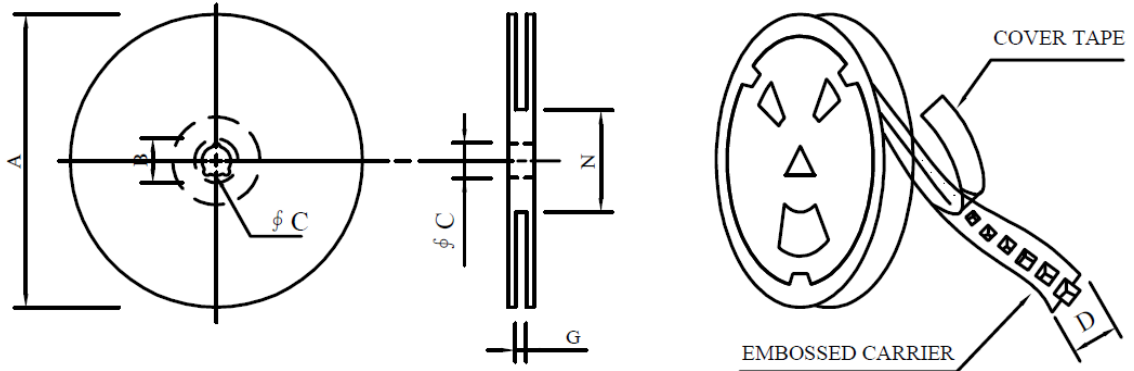
Tolerance: Y = ±30%, M = ±20%

NOTE: Specifications subject to change without notice. Please check our website for latest information.



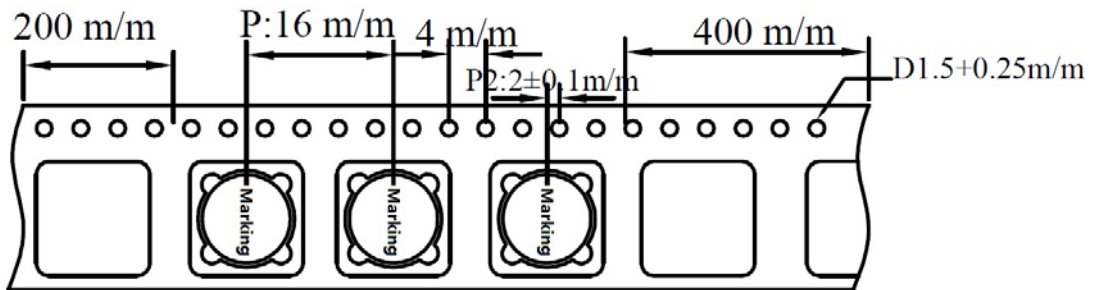
7. Packaging Information

7-1 Reel Dimension



Style	A (mm)	B (mm)	C (mm)	D (mm)	G (mm)	N (mm)
13 - 24	330	21	13	24	24.5	100

7-2 Tape Dimension



7-3 Packaging Quantity

Series	Inner: Reel		Outer: Carton	
	Qty (pcs)	Style	Qty (pcs)	Size (cm)
SDC1204	600	13-24	2400	36 x 35.5 x 14.3

NOTE: Specifications subject to change without notice. Please check our website for latest information.

