

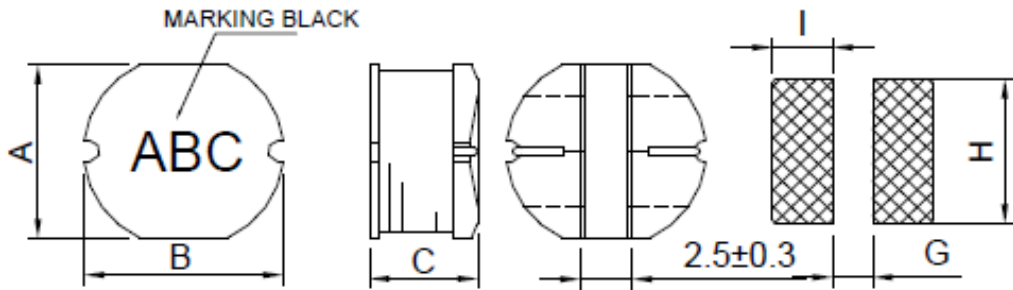
## 1. Part No. Expression

**PDC0705100MZF**

(a) (b) (c) (d)(e)(f)

- |                     |                    |
|---------------------|--------------------|
| (a) Series Code     | (d) Tolerance Code |
| (b) Dimension Code  | (e) Internal Code  |
| (c) Inductance Code | (f) Packaging Code |

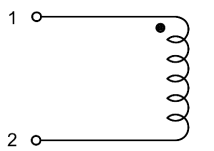
## 2. Configuration & Dimensions: (Unit:- mm)



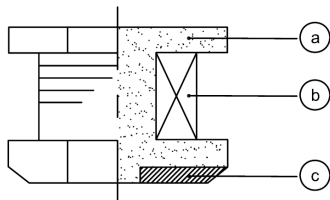
Recommended Land Pattern

A	B	C	G	H	I
7.0±0.3	7.8±0.3	5.0±0.5	2.0 Ref.	7.5 Ref.	3.0 Ref.

## 3. Schematic



## 4. Material List



- a) Drum Core
- b) Wire
- c) Electrode

NOTE: Specifications subject to change without notice. Please check our website for latest information.

## 5. General Specifications

- (a) Operating Temp. : -40°C to +125°C (Including self - temperature rise).
- (b) Storage Temp. : -40°C to +125°C.
- (c) Temperature Rise. : 40°C Max.
- (d) Rated Current. : Base on temperature rise &  $\Delta L/L0A=10\%$  Typ.

## 6. Electrical Characteristics

Part Number	Inductance (uH)	Test Frequency (Hz)	DCR ( $\Omega$ ) Max.	IDC (A)	Marking
PDC0705100MZF	10.0	1.0V/2.52M	0.07	2.30	100
PDC0705120MZF	12.0	1.0V/2.52M	0.08	2.00	120
PDC0705150MZF	15.0	1.0V/2.52M	0.09	1.80	150
PDC0705180MZF	18.0	1.0V/2.52M	0.10	1.60	180
PDC0705220MZF	22.0	1.0V/2.52M	0.11	1.50	220
PDC0705270MZF	27.0	1.0V/2.52M	0.12	1.30	270
PDC0705330MZF	33.0	1.0V/2.52M	0.13	1.20	330
PDC0705390MZF	39.0	1.0V/2.52M	0.16	1.10	390
PDC0705470KZF	47.0	1.0V/2.52M	0.18	1.10	470
PDC0705560KZF	56.0	1.0V/2.52M	0.24	0.94	560
PDC0705680KZF	68.0	1.0V/2.52M	0.28	0.85	680
PDC0705820KZF	82.0	1.0V/2.52M	0.37	0.78	820
PDC0705101KZF	100	1.0V/1K	0.43	0.72	101
PDC0705121KZF	120	1.0V/1K	0.47	0.66	121
PDC0705151KZF	150	1.0V/1K	0.64	0.58	151
PDC0705181KZF	180	1.0V/1K	0.71	0.51	181
PDC0705221KZF	220	1.0V/1K	0.96	0.49	221
PDC0705271KZF	270	1.0V/1K	1.11	0.42	271
PDC0705331KZF	330	1.0V/1K	1.26	0.40	331
PDC0705391KZF	390	1.0V/1K	1.77	0.36	391
PDC0705471KZF	470	1.0V/1K	1.96	0.34	441

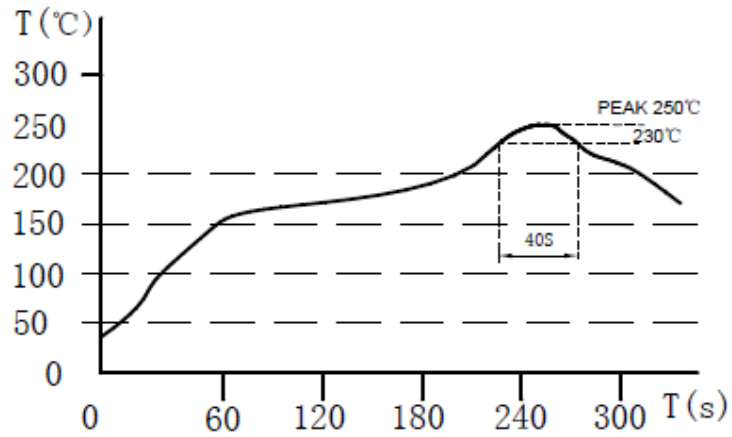
Tolerance: K =  $\pm 10\%$ : M =  $\pm 20\%$

NOTE: Specifications subject to change without notice. Please check our website for latest information.



## 7. Soldering and Mounting

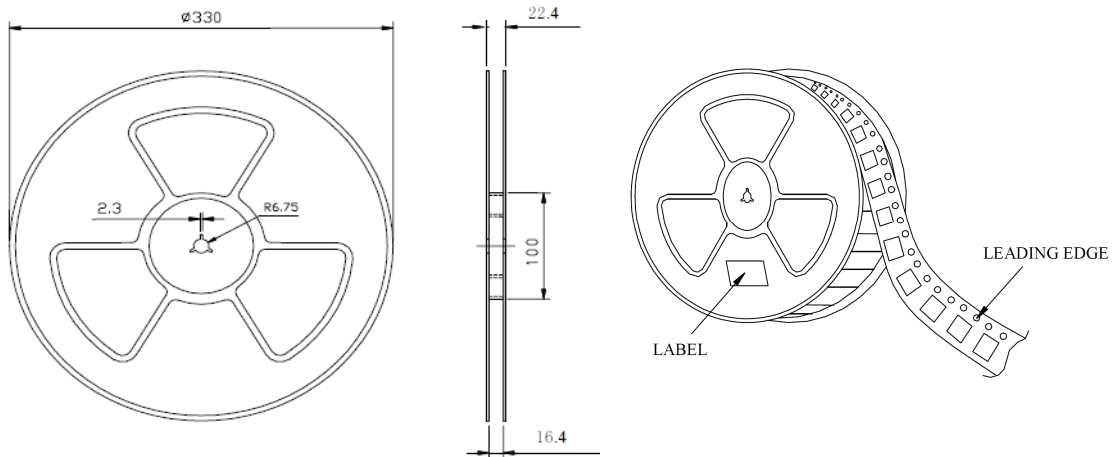
Recommended Reflow Condition



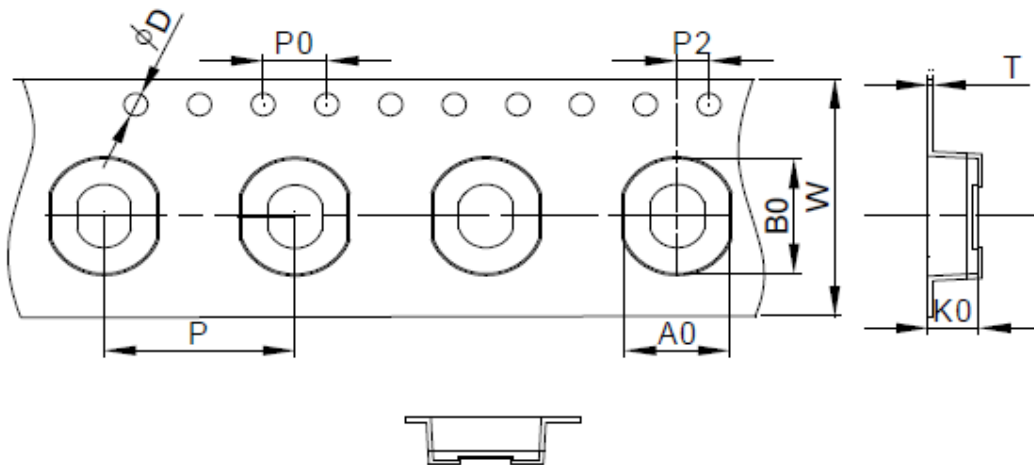
NOTE: Specifications subject to change without notice. Please check our website for latest information.

## 8. Packaging Information

### 8-1. Reel Dimension (Unit : mm)

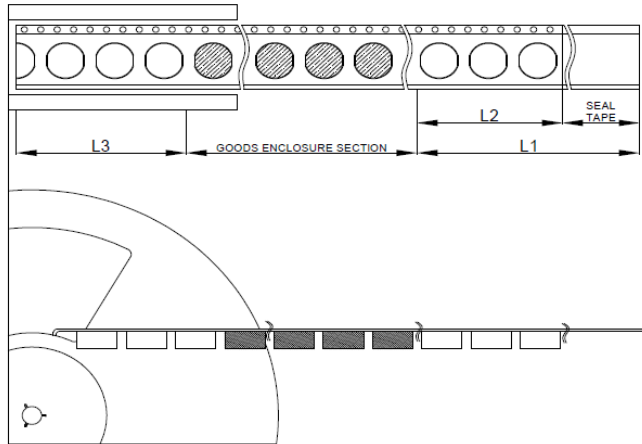
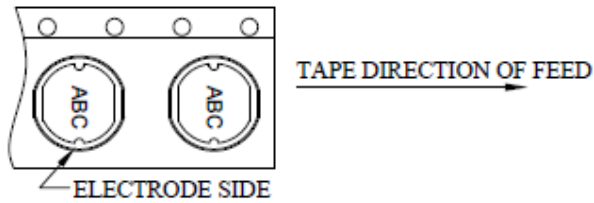


### 8-2. Tape Dimension



W(mm)	A0(mm)	B0(mm)	K0(mm)	P(mm)	D(mm)	P0(mm)	P2(mm)	T(mm)
16.0+0.3/-0.1	7.3±0.1	8.0±0.1	5.7±0.1	12.0±0.1	1.5+0.1/-0	4.0±0.1	2.0±0.1	0.4 Ref

NOTE: Specifications subject to change without notice. Please check our website for latest information.



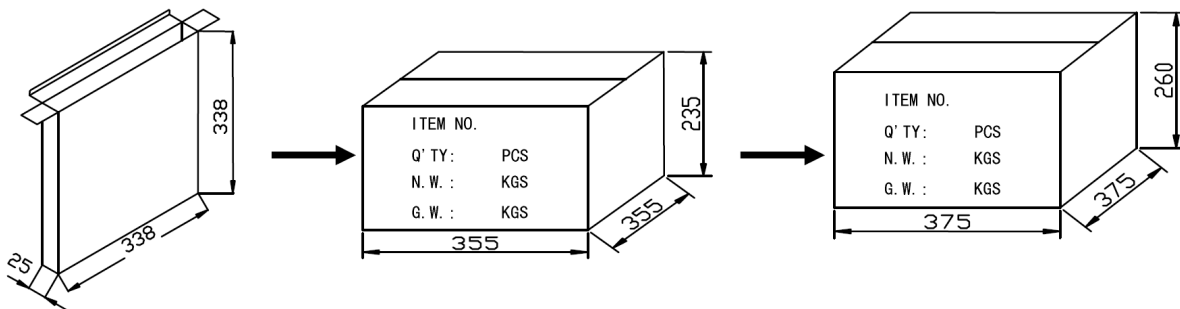
L1	Leader section length	400mm Min.
L2	Start carrier tape length	170mm Min.
L3	Trailer section length	170mm Min.
	Quantity	1000 Pcs

### 8-3 Outer Packaging (Unit : mm)

1 Reel per Inner box (1000 Pcs)

7 Pcs Inner boxes per Outer box (7K Pcs)

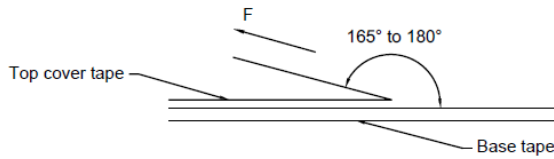
Outside the box (7K Pcs)



NOTE: Specifications subject to change without notice. Please check our website for latest information.



## 8-4 Tearing Off Force



The force for tearing off cover tape is 10 to 100 grams in the arrow direction under the following conditions.

Room Temp. (°C)	Room Humidity (%)	Room atm (hPa)	Tearing Speed mm/min
5~35	45~85	860~1060	300

## Application Notice:

### 1. Storage Conditions:

To maintain the solderability of terminal electrodes:

- a) Recommended products should be used within 12 months from the time of delivery.
- b) The packaging material should be kept where no chlorine or sulfur exists in the air.

### 2. Transportation:

- a) Products should be handled with care to avoid damage or contamination from perspiration and skin oils.
- b) Vacuum pick up is strongly recommended for individual components.
- c) Bulk handling should ensure that abrasion and mechanical shock are minimized.

NOTE: Specifications subject to change without notice. Please check our website for latest information.