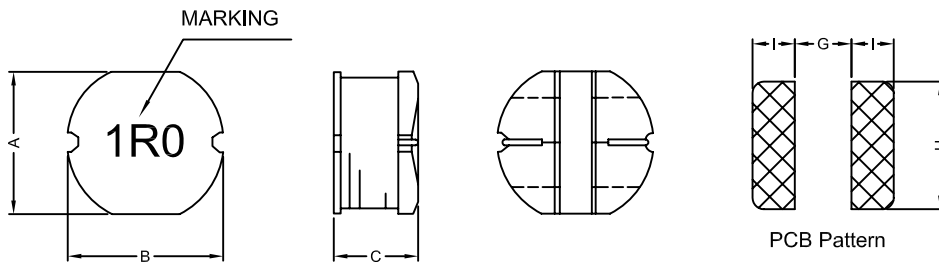


### 1. PART NO. EXPRESSION :

PDC0502 1R0 MZF  
 (a) (b) (c) (d)(e)(f)

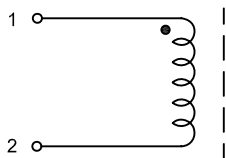
- (a) Series code
- (b) Dimension code
- (c) Inductance code : 1R0 = 1.0uH
- (d) Tolerance code : M = ±20%
- (e) X, Y, Z : Standard part
- (f) F : RoHS Compliant

### 2. CONFIGURATION & DIMENSIONS :

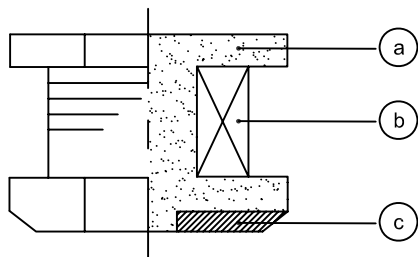


A	B	C	G	H	I
5.2±0.3	5.8±0.3	2.50±0.35	1.70 Ref.	5.50 Ref.	2.15 Ref.

### 3. SCHEMATIC :



### 4. MATERIALS :



- (a) Drum Core
- (b) Wire
- (c) Electrode

### 5. GENERAL SPECIFICATION :

- a) TEMP. RISE : 40°C MAX.
- b) STORAGE CONDITION (COMPONENT IN ITS PACKAGING)
  - i) TEMPERATURE: -10°C TO 40°C
  - ii) HUMIDITY: 60%
- c) OPERATING TEMPERATURE : -40°C TO 85°C



**RoHS Compliant**

NOTE : Specifications subject to change without notice. Please check our website for latest information.



### 6. ELECTRICAL CHARACTERISTICS :

Part No.	Inductance ( $\mu$ H)	Test Frequency ( Hz )	RDC ( $\Omega$ ) Max.	IDC ( A ) Drop10%
PDC05021R0MZF	1.0 $\pm$ 20%	1V/7.96M	0.030	4.80
PDC05021R4MZF	1.4 $\pm$ 20%	1V/7.96M	0.035	4.20
PDC05021R8MZF	1.8 $\pm$ 20%	1V/7.96M	0.040	3.80
PDC05022R2MZF	2.2 $\pm$ 20%	1V/7.96M	0.050	3.50
PDC05022R7MZF	2.7 $\pm$ 20%	1V/7.96M	0.055	3.10
PDC05023R3MZF	3.3 $\pm$ 20%	1V/7.96M	0.070	3.00
PDC05023R9MZF	3.9 $\pm$ 20%	1V/7.96M	0.080	2.80
PDC05024R7MZF	4.7 $\pm$ 20%	1V/7.96M	0.090	2.70
PDC05025R6MZF	5.6 $\pm$ 20%	1V/7.96M	0.110	2.20
PDC05026R8MZF	6.8 $\pm$ 20%	1V/7.96M	0.140	1.90
PDC05028R2MZF	8.2 $\pm$ 20%	1V/7.96M	0.150	1.80
PDC0502100MZF	10.0 $\pm$ 20%	1V/2.52M	0.165	1.50
PDC0502120MZF	12.0 $\pm$ 20%	1V/2.52M	0.250	1.40
PDC0502150MZF	15.0 $\pm$ 20%	1V/2.52M	0.280	1.20
PDC0502180MZF	18.0 $\pm$ 20%	1V/2.52M	0.320	1.10
PDC0502220MZF	22.0 $\pm$ 20%	1V/2.52M	0.420	1.00
PDC0502270MZF	27.0 $\pm$ 20%	1V/2.52M	0.450	0.90
PDC0502330MZF	33.0 $\pm$ 20%	1V/2.52M	0.550	0.80
PDC0502390MZF	39.0 $\pm$ 20%	1V/2.52M	0.580	0.75
PDC0502470MZF	47.0 $\pm$ 20%	1V/2.52M	0.830	0.70
PDC0502560MZF	56.0 $\pm$ 20%	1V/2.52M	0.900	0.65
PDC0502680MZF	68.0 $\pm$ 20%	1V/2.52M	0.970	0.60
PDC0502820MZF	82.0 $\pm$ 20%	1V/2.52M	1.200	0.55
PDC0502101MZF	100.0 $\pm$ 20%	1V / 1K	1.500	0.50
PDC0502121MZF	120.0 $\pm$ 20%	1V / 1K	1.700	0.47
PDC0502151MZF	150.0 $\pm$ 20%	1V / 1K	1.950	0.45
PDC0502181MZF	180.0 $\pm$ 20%	1V / 1K	2.600	0.40
PDC0502221MZF	220.0 $\pm$ 20%	1V / 1K	3.400	0.35
PDC0502271MZF	270.0 $\pm$ 20%	1V / 1K	4.000	0.30
PDC0502331MZF	330.0 $\pm$ 20%	1V / 1K	4.500	0.27
PDC0502391MZF	390.0 $\pm$ 20%	1V / 1K	5.000	0.25
PDC0502471MZF	470.0 $\pm$ 20%	1V / 1K	7.000	0.23
PDC0502561MZF	560.0 $\pm$ 20%	1V / 1K	8.000	0.21



**RoHS Compliant**

NOTE : Specifications subject to change without notice. Please check our website for latest information.

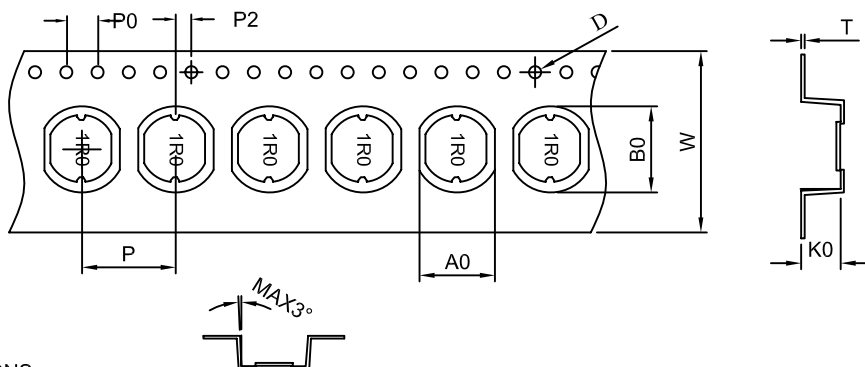
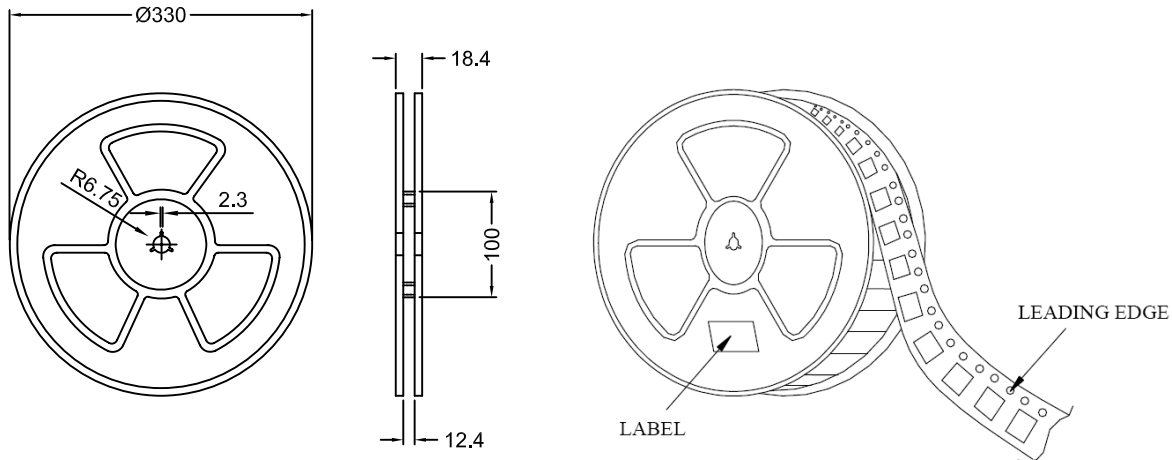
01.07.2015



**SUPERWORLD ELECTRONICS (S) PTE LTD**

### 7. PACKAGING INFORMATION :

#### ( 1 ) CONFIGURATION



#### ( 2 ) DIMENSIONS

Unit:m/m

W	A0	B0	K0	P	D	P0	P2	T
12.0+0.3/-0.1	5.45 ±0.10	6.1 ±0.10	3.1 ±0.10	8.0±0.10	1.5 +0.1/-0	4.0±0.10	2.0±0.10	0.35

NOTE : Specifications subject to change without notice. Please check our website for latest information.



**RoHS Compliant**

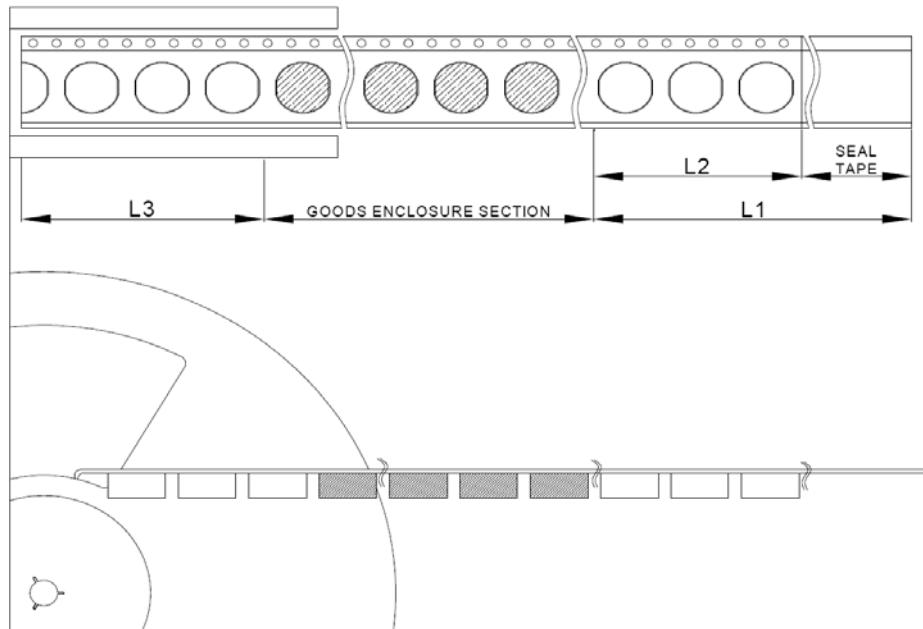
01.07.2015



**SUPERWORLD ELECTRONICS (S) PTE LTD**

### 7. PACKAGING INFORMATION :

#### ( 3 ) TAPE DIMENSION



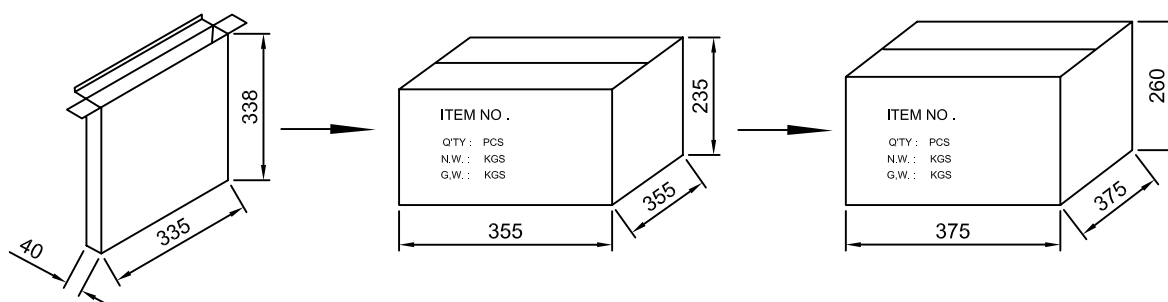
L1	LEADER SECTION LENGTH	MIN. 400mm
L2	START CARRIER TAPE LENGTH	MIN. 170mm
L3	TRAILER SECTION LENGTH	MIN. 170mm
	QUANTITY	2000PCS

#### ( 4 ) OUTER PACKING(UNIT:mm)

2 REEL PER INNER BOX (4000PCS)

5PCS INNER BOXES PER OUTER BOX (20KPCS)

OUTSIDE THE BOX (20KPCS)



**RoHS Compliant**

NOTE : Specifications subject to change without notice. Please check our website for latest information.

01.07.2015

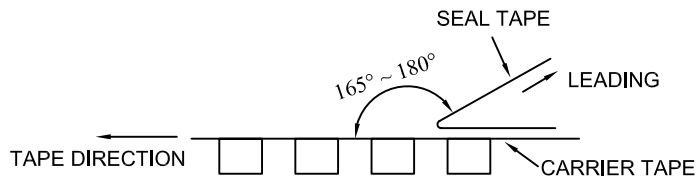


**SUPERWORLD ELECTRONICS (S) PTE LTD**

## 7. PACKAGING INFORMATION :

### (4) TAPING

- a. THE CARRIER TAPE AND SHIELD TAPE IS WOUND IN ONE CONTINUOUS REEL WITHOUT ANY JOINTED PORTIONS
- b. THE ANGLE BETWEEN THE SEAL TAPE DURING PEELOFF AND THE DIRECTION OF UNREELING SHALL BE 165° TO 180°. THE SEAL TAPE SHALL ADHERE UNIFORMLY TO THE CARRIER TAPE ALONG BOTH SIDES IN THE DIRECTION OF UNREELING. THE PEEL FORCE WITH A PEEL SPEED OF 300mm/MIN ± 10mm/MIN SHALL BE AS FOLLOWS :
  - 0.1N TO 1.0N FOR AN 8mm TAPE WIDTH.
  - 0.1N TO 1.3N FOR A 12mm~56mm TAPE WIDTH.



- c. PRECAUTION: COMPLETED REELS WITH RADIUS LESS THAN 40mm WILL RESULT IN THE FOLLOWING.
  - (I) CRACKS ON THE CARRIER TAPE
  - (II) SHIELD TAPE TEARING OFF

### (5) PACKING

- a. POSITION OF COILS IN THE CARRIER TAPE: REFER TO THE SPECIFICATION OF THE INDIVIDUAL PART.
- b. THERE SHOULD NOT BE:
  - (I) WRONG POSITION OF GOODS IN THE CARRIER TAPE
  - (II) REJECTED GOODS IN THE CARRIER TAPE
  - (III) MISSING GOODS FROM THE CARRIER TAPE
- c. ONE REEL CONSISTS OF 2000 PIECES OF COIL.
- d. ON THE COMPLETED END OF THE REEL, THE CARRIER TAPE IS FIXED WITH A DRIVING TAPE.

### (6) HANDLING PRECAUTION

- a. THE SURFACE OF THE PRODUCT CANNOT WITHSTAND A WEIGHT/FORCE EXCEEDING 9.8N.

### (7) STORAGE

- a. GOODS TO BE STORED UNDER TEMPERATURES LESS THAN 60°C, WITH HUMIDITY NOT EXCEEDING 90%. IF THE STORAGE PERIOD IS LONG, REEL SHOULD BE REWOUND.



**RoHS Compliant**

NOTE : Specifications subject to change without notice. Please check our website for latest information.

01.07.2015



**SUPERWORLD ELECTRONICS (S) PTE LTD**

PG. 5